

the greatest little show in Southland



WINTON A&P ASSOCIATION

SCHEDULE

of the
104th ANNUAL SHOW

Saturday 20th January 2018

at the
Winton Racecourse

ENTRIES CLOSE 8 January 2018
Please Return All Trophies by 1 December 2017



Dawn Kennedy
President
Ph (027)2297247

Diane Goodall
Show Secretary
Ph: (03) 217 2624

Sharon Muirhead
Entries Secretary
Ph: (03) 230 4552

Website: www.wintonapshow.co.nz

GENERAL RULES AND REGULATIONS

1. All Exhibits to be bona fide property of the Exhibitor at the time of entry. The age of animals exhibited must be stated when entering them for the show.
2. All bulls for exhibition to be led by a ring or halter. All Cattle, except Prime Stock, to be shown in the ring.
3. No diseased animal, or animals, from a flock or herd known to be infested with disease, will be allowed to be shown. On this point, a declaration may be required by the Secretary from the Exhibitor.
4. The decision of the Judges will be final.
5. Ages of animals to be reckoned from 1 June (except where specially stated.)
6. Entries close with the Secretary on 8 January 2018. If late entries are accepted, they will be charged at double price.
7. Admission will be granted on a class ticket.
8. The Judges will commence their inspection at allotted time. They will decide without inquiry as to the names of the parties or places, and will refer merely to quality of animals exhibited. Judges are directed not to give undue weight to high condition (except condition classes of Prime Stock) but to award the prizes to animals in each class which they consider best represent the particular breed or description intended to be encouraged. The Judges are directed to pass over all whose want of condition betokens weakness of constitution, however great their merits may be in other respects. Any Cow or Ewe which, in the opinion of the Judge, is barren shall be eligible to take a prize only in the Prime Stock classes.
9. Where there is no competition in any class, no prizes are to be awarded unless the Judge certifies to special merit.
10. Stock for Exhibition to be in the yards before 8:00am on the morning of the show. No removal of Exhibits will be allowed before 4:00pm without the sanction of the Committee.
11. The prize money MUST be claimed within 10 days after the Show, or else it will be forfeited and become the property of the Society.
12. Class sponsorship monies and product are subject to confirmation and will be paid in lieu of Association prize money. The Association takes no responsibility for sponsorships which do not eventuate.
13. Exhibitors to give any information relative to their Exhibits that the Secretary may require. In all disputes the decision of the Committee must be final. Protest may be lodged with the Secretary within half an hour of the awards on the day of the Show, to be accompanied by a deposit of \$20, to be forfeited to the Society should the protest be considered frivolous or vexation.
14. All cattle to be paraded in the Grand Parade which will be led by the Aakland Group Challenge Trophy winner then in catalogue order.
15. **Admission to Show Ground:**
Adults: \$15.00
Under 15 years, \$2.00
Car Parking: Free
16. The Committee reserves the right to allot Specials in lieu of Prize Money mentioned in the Schedule. The Committee expect a few Special Prizes which they will allot as they may think advisable.
The Association has received a number of Trophies which accordingly will be allotted in the Catalogue.
17. No Steward shall act in any class in which they are an Exhibitor.
18. Where classes are sponsored with naming rights and Sponsorship total more than the normal A&P Prize money, then only the Sponsorship money will be paid out.
19. No animal or its attendant shall have any initial, crest or mark of ownership on its rug, harness, pail or any other fitting. This rule shall not apply to Trades classes. Prize Cards which have been awarded by the Judges must only be displayed after final judging, in such classes as the Exhibit may be entered for and then remain affixed to Exhibit during the Show, and no ribbon, prize, colours or tickets will be permitted on any Exhibit unless awarded during that section of the Show. Any infraction of the rule may incur disqualification and bar any further competition in that section of the Show. The Committee will be pleased to see Implements and Cars exhibited. Awards will be made where there may be sufficient competition. Due to possible restrictions on grounds space, the Committee reserves the right of admission to any or all vehicles, the Committee will make known by advertisement prior to Show Day what parking space is available in or adjacent to the Show Ground.
20. All refunds will be a maximum of 80% and any refund requests without a doctors certificate or veterinary certificate will be at the discretion of the directors.
21. **Protests** - see rule 12 - Rules and Regulations
All protests must be in writing, and may be entered before or after the Judges have proceeded to their duties.
22. If the protest is lodged before the Judges proceed to their duties, the onus of proof will rest with the Exhibitor, or after the onus of proof will be with the party protesting.
23. **Special Rules Regarding Side Shows** - It is now provided that all applicants for Side Show space shall be licensed.
24. **Right of Committee:** The Committee, or its Supervisor, reserves the right to refuse any Side Show or Selling Stand permission to enter the Show Grounds without giving any reason therefore.
25. Each applicant for space for Side Show purposes shall pay down the amount of the rent before the ground is allotted. When the ballot, if any, has been taken and space allotted the space shall be occupied by the applicant and he shall not shift on to any other space or leave his space to canvas for

business in any part of the ground or suffer or permit any employee or partner or other person to do so on his behalf.

26. No ground or space shall be allotted to any applicant except for a bonafide Side Show or Stall. **“Side Show”** - shall mean any space which is enclosed from the public by any marquee, tent, canvas screen or other device, and to which a charge for admission is made to the public. The Committee reserves to itself or its representatives the right to refuse space to the proprietor or manage of any Side Show when the performance therein is considered undesirable or offensive to forfeit the rent paid, and order the Side Show to be closed if the foregoing provision is not complied with. **“Stall”** - shall mean any open stand on which goods are displayed for sale or games played for any prize other than money. Games played for money prizes are strictly prohibited and any stall holder found offending against this regulation shall be ejected from the Show grounds.
27. **Rent of Spaces:** Ground fees are to be paid in full before ballot for space.
28. **Allotment of Space for Side Shows:** In such portion of the grounds set aside by the Committee of the Association for Side Shows space may be allotted by ballot or in such a manner as the Society shall arrange. No proprietor will be allowed to participate until all ground fees be paid.
29. **Sub Letting of Space:** No sub letting of any space will be allowed under any circumstances.
30. **Performing Animals:** All dogs and performing animals must be kept tied up or in cages within the camping area. Horses, Mules, Donkeys or Cattle will not be allowed in the ring prior to the opening of the Show. No freak or malformed living animals will be permitted on the Show Ground.
31. No person is permitted in any Judging Ring without the express permission from the Head Steward of that ring. Only persons directly responsible for an Exhibit are permitted in the Marshalling Area.
32. Each Exhibitor must supervise and control their animals at all times and shall be liable for any hazards created or accident, illness or damage caused by the action of themselves or their animals at the showgrounds. Exhibitors must comply with the appropriate Animal Legislation and the Health and Safety in Employment Act 1992.
33. If insufficient entries some classes may be combined.

General Information for Exhibitors

Ribbons will be awarded as follows

1- 7 entries 1st, 2nd, 3rd
8 and over 1st, 2nd, 3rd, 4th

Please note: Rule 9 - Rules and Regulations

The Committee reserves the right to combine suitable Classes where insufficient entries are received.

Ribbons and Tickets will be given for Champion and Reserve Champion as stated within each section

Entries Close 8 January 2018

Allocation of Points

Nine Entries or Less

First	10 points	Second	8 points
Third	6 points		

10 to 14 Entries

First	10 points	Second	8 points
Third	6 points	Fourth	4 point

Over 15 Entries

First	10 points	Second	8 points
Third	6 points	Fourth	4 point
Fifth	2 points		

Ties 1 win each

In the event of two exhibitors or more gaining equal points the exhibitor gaining the most first prizes will be declared the winner.

Champion - 2 extra points

Reserve Champion - 1 extra point

SOUTHERN WIDE REAL ESTATE EQUESTRIAN SECTION

Chief Horse Marshal –
Barbara Wilson

Equestrian Section kindly sponsored by AgPro, Alltech, Bayer, Birchwood Hunt, Carrfields, Celtic Hotel, Central Southland Lodge, Clarke Seed and Feed, Commercial Hotel, Country Jewel, Dave Wilson Contracting, Country & Co, Doug Richardson Builder, Drummond Hotel, DT King & Co, Equine & Pet Laundry Service, Equine Touch South, Farmlands, Fiber Fresh Feeds, G Lowen Plumbing, Gail Richardson, Glen Cree Pony Stud, Harcourts, Harper Horse Coaches, Irwin Motors, IGS Contracting, IPS, Macalisters, Marlene's Hair Salon, McGregor Concrete, McMaster Engineering, Mitre 10, Nigel Molloy Joinery, Nightcaps Contracting, NRM, Phil Stirling Building, Phillips Transport, Phoenix Aviation, Preston Russell Law, Prydes Easifeed, Rabobank, Shard Farm Standardbreds, Shaw Fix Automotive, Superior Minerals, The Local, ImpTom White, Saddlery Warehouse Invercargill, Southern Saddlery, Southern Veterinary Centre, Southern Wide Real Estate, Walling Contracting, WaterForce, Weka Pre-School, Winton A&P Research Farm, Winton Flooring, Winton Harness Racing Club, Winton New World, Winton Paper Plus, With Grace, Zilco

Equestrian Rules and Regulations

To be read in conjunction with the general conditions of the Winton A&P Association as set out on Page 2 of this schedule and the rules and regulations as set out by the Royal Agriculture Society.

1. All horses and ponies to be ridden or exercised and lunged in designated areas.
2. Whips to be no longer than 76cm.
3. No exercising inside the rings prior to competition.
4. **Champion and Reserve Champion** will be selected as follows: First Prize winners in all eligible classes to be paraded before the Judge. Immediately the Champion has been selected the Second Placed animal from the class the Champion came from shall parade with the others for Reserve Champion.
5. Forbidden Substances: The use of tranquillisers, stimulants, or any drugs capable of affecting the performance of horses and ponies, donkeys and mules is forbidden.
6. Competitors are advised that tests for forbidden substances may be carried out during the Show and that testing of all animals is at the owner's risk. Testing for forbidden substances will be carried out under the Royal Agriculture Society Forbidden Substance Judiciary Committee (FSJC) procedures

and rules (refer rule 89 RAS Equestrian Competitors and Judges Rule Book) **The payment of entry fee of the exhibitor on the entry form denotes acceptance of these conditions.**

7. All riders 16 years and under must wear protective headgear (in all sections), which includes a retaining harness secured to the shell at more than two points. Such headgear must be worn with chinstrap properly adjusted and fastened when in the arena or ring, the practice area and collecting rings or anywhere else within a show grounds.
8. Entire Horses or Ponies shall not be eligible to compete in any saddle or jumping classes except for FEI Competitions.
9. Height Certificates will be inspected.
10. All prize winners must enter Grand Parade or forfeit any prize money.
11. No lunging to be done outside of warm up area.
12. Once a horse or pony commences the Show Season as a Saddle Hack, or Saddle (flat) Hunter or Saddle Pony or Hunter (flat) Pony, that horse or pony is not able to transfer to another section during that Show Season. If a Show does not hold Saddle (flat) Hunter and Hunter (flat) Pony classes, this ruling does not apply.
13. All Champion and Reserve Champion Saddle Hacks and Ponies **must** be **ridden** in the Grand Parade, unless a special dispensation is granted by the Chief Horse Marshall to take your Hack or Pony in hand, otherwise *all awards will be forfeited*.
14. **Local Horse/Pony** will be defined as: West Boundary, Otautau; East Boundary, Glencoe; North Boundary, Athol; South Boundary, Wilsons Crossing
15. It is compulsory for all stallions and colts, regardless of age to wear an identification badge "S" at all shows at all times including Miniatures.
16. This show supports the RAS yellow card system (as per resolution at 2009 annual conference), which will be submitted for any inappropriate behaviour towards show officials, judges, fellow competitors or any other third party connected with the show bringing the equestrian discipline into disrepute or cases which are of a less serious nature to the above in accordance with the conduct of members, owners, lessees, competitors and/or exhibitors as provided in the RAS equestrian competitors and judges rulebook and rule 13 of the RAS constitution.

NZ current safety standard approved helmets only will be allowed in all Equestrian Ridden/Jumping classes and must be tagged to be legal.

Information for Equestrian Exhibitors

Allocation of Points for Trophies (Equestrian)

Points are given according to place in class (eg 1st=4, 2nd=3, 3rd=2, 4th=1). Local Classes and Working Hunter Classes not eligible for points. Only one conformation and Paced & Mannered class is counted eg not both Novice and Open.

Entries are to be sent to

Winton A&P Association

PO Box 8016

Glengarry

INVERCARGILL 9845

Email: wintonapshow@gmail.com

No Day Measuring Available

Royal Agricultural Society of NZ Inc

Please note the following height changes applicable to show classing only.

Hacks	Ponies		
153cm	103cm	108cm	113cm
158cm	118cm	123cm	128cm
163cm	133cm	138cm	143cm
	148 cm		

Time Schedule for Equestrian Events

Events situated in middle of track

8.00am	Will be run in order of catalogue In Hand Arabs followed by Welsh Ponies, In Hand Ponies, Other Mixed Breed Types, Gypsy Cobs, Clydesdale, Shires
8.30am	Saddle Hunter Saddle Hack Park Hack Riding Horse
9.00am	Saddle Pony Hunter Pony
9.00am	Utility Horse/Pony
9:00am	First Ridden
10:30am	Lead Rein
11:30am	Ridden Standardbred
12.30pm	FEI Ring 1 & 2
12.45pm	Pony Trot
1.00pm	NZ Sport Horse
1.00pm	In Hand Thoroughbred
1:00pm	Golden Oldies
1.00pm	In Hand Standardbred
1.15pm	Round the Ring

Events situated elsewhere

8:30am	Miniature Horse (North End of Main Grandstand)
11.00am	Donkeys (Behind Grandstand)
2.15pm	Judging of Supreme Exhibit of Show (Front of Grandstand)
2.30pm	Grand Parade (Front of Grandstand)

2:30pm GRAND PARADE

Entries Close 8 January 2018

OVERNIGHT ACCOMMODATION

All horses and floats must be parked away from stabling area by 6:00am on day of show. All boxes and stables are to be booked at time of entry. Please note – all bedding and manure to be stacked outside of box after use. First in first served. \$10 per horse/pony per night.

ENTRY FEES & PRIZE MONEY IN INHAND & SADDLE CLASSES

Entry Fee: Members \$7.00, Non Members \$11.00 (Entry Fee includes \$1 RAS Levy that will be forwarded directly to the RAS)

Prize Money: First \$15, Second \$10, Third \$5
Except where otherwise stated (*Sponsors donated items maybe awarded in place of prize money*)

Winton A&P Gow Memorial Trophy

For Most Points in Equestrian Section from one Identity

Judges

Saddle Hacks: Janice Mitchell
Riding Horse: TBA
Saddle Hunters: Sarah Bell
Park Hacks: Amanda Butson
Pony A: Sue Gibbs
Pony B: Marilyn Bates
Saddle Hunter Pony: Denise Wilson
1st Ridden/Led Rein : Jeannie Cook
Led Sport Horse: Helena Patchett Carter
Led Thoroughbred: Kelly Shaw
In Hand: Catherine Bell
InHand/ Ridden Standardbred: Casey Swain
Miniature Horses: Kim Farmer
FEI:
RTR:
Donkeys:

SADDLE HUNTER

Saddle Hunter kindly sponsored by **Bayer, Mitre 10, Prydes Easifeeds, Farmlands, NRM, Equine Touch Southland, Drummond Hotels, Harper Horse Coaches**

Judging to commence at 8.30am

Marshal: TBA

- Not eligible for Saddle Hack or Park Hack Classes
- Competitors for Championships and Supremes must be available at time of Judging. Judges will not wait.
- Height Certificate will be inspected. Prizes will be forfeited if not produced.
- No Stallions
- Saddle Hunter eligible for Lady's Saddle Hunter **or** Gentleman's Saddle Hunter, **not both**

Harper Horse Coaches Trophy

for most points in Saddle Hunter Section

- 1 - Best Presented
- 2- Novice Saddle Hunter, Mare or Gelding over 148cm - 0-5 wins at any A&P Show in Conformation Classes

Champion Novice Saddle Horse

to be judged with Saddle Hunter, Saddle Horse, Riding Horse and Park Hack Classes 2, 13, 23 and 30 eligible

- 3 - Novice Paced and Mannered Saddle Hunter – 0-5 wins at any A&P Show in Paced and Mannered Classes

- 4 - Open Saddle Hunter over 148cm and up to 163cm

- 5 - Open Saddle Hunter over 163cm

Champion and Reserve Champion Saddle Hunter

Classes 4 and 5 eligible

Firegleam Trophy – Champion Saddle Hunter

- 6- Saddle Hunter to be ridden by a Lady
- 7- Saddle Hunter to be ridden by a Gentleman
- 8 - Open Saddle Hunter Paced and Mannered
- 9 - Best Rider In this section
- 10 - Novice Working Hunter 0-5 wins to be judged over jumps. – Not eligible for Novice Championship –
- 11 - Working Saddle Hunter to be judged over jumps.

SADDLE HACK

Saddle Hack kindly sponsored by **Bayer, Equine Touch Southland, Southern Saddlery, Farmlands**

Judging to commence 8.30am

Marshal: TBA

- No hack to be entered in Pony Classes and vice-versa.
- Not eligible for Hunter or Riding Horse Classes.
- Height Certificate will be inspected. Prizes will be forfeited if not produced.
- No Stallions.
- Competitors for Championships and Supremes must be available at time of Judging. Judges will not wait.
- Saddle Hack eligible for Lady's Hack **or** Gentleman's Hack, **not both**

Winton A&P Association Cup

for most points in Saddle Hack Section

- 12 - Best Presented
- 13 - Novice Saddle Hack, Mare or Gelding over 158cm - 0-5 wins at any A&P Show in Conformation Classes

Champion Novice Saddle Horse

to be judged with Saddle Hunter, Saddle Horse, Riding Horse and Park Hack Classes 2, 13, 23 and 30 eligible

- 14 - Novice Paced and Mannered Saddle Hack 0-5 wins at any A&P Show in Paced and Mannered Classes
- 16 - Saddle Hack over 158 cm and up to 163cm
- 17 - Saddle Hack over 163cm

Champion and Reserve Champion Saddle Hack Classes 16 and 17 eligible

- 18 - Gentleman's Saddle Hack – to be ridden by a Gentleman
- 19 - Ladies Saddle Hack – to be ridden by a Lady
- 20 - Best Paced and Mannered Saddle Hack
- 21 - Best Rider in the Section

RIDING HORSE

Riding Horse kindly sponsored by **Bayer, Farmlands**

Judging to commence 8.30am

Marshal: TBA

- No hack to be entered in Pony Classes and vice-versa.
- Not eligible for Hunter or Saddle Classes..
- Height Certificate will be inspected. Prizes will be forfeited if not produced.
- No Stallions.
- Competitors for Championships and Supremes must be available at time of Judging. Judges will not wait.
- Saddle Hack eligible for Lady's Hack **or** Gentleman's Hack, **not both**

- 22 - Best Presented

- 23 - Novice Riding Horse, Mare or Gelding over 148cm - 0-5 wins at any A&P Show in Conformation Classes

Champion Novice Saddle Horse

to be judged with Saddle Hunter, Saddle Horse, Riding Horse and Park Hack Classes 2, 13, 23 and 30 eligible

- 24 - Novice Paced and Mannered Riding Horse 0-5 wins at any A&P Show in Paced and Mannered Classes

- 25 - Open Riding Horse over 148cm and up to 163cm

- 26 - Open Riding Horse over 163cm

Champion and Reserve Champion Saddle Hack Classes 25 & 26 eligible

- 27 - Best Paced and Mannered Riding Horse
- 28 - Best Rider in the Section

PARK HACK

Park Hack kindly sponsored by **Bayer, RacZ Contracting, Mitre 10, Farmlands, Preston Russell Law**

Judging to commence 8.30am

Marshal: TBA

- Not eligible for Hunter or Riding Horse Classes.
- Height Certificate will be inspected. Prizes will be forfeited if not produced.
- No Stallions.
- Competitors for Championships and Supremes must be available at time of Judging. Judges will not wait.

M McKay Cup

most points Park Hack Section

- 29 - Best Presented
30 - Novice Park Hack, Mare or Gelding over 148cm and up to 158cm 0-5 wins at any A&P Show in Conformation Classes

Champion Novice Saddle Horse

to be judged with Saddle Hunter, Saddle Horse, Riding Horse and Park Hack Classes 2, 13, 23 and 30 eligible

- 31 - Novice Paced and Mannered Park Hack 0-5 wins at any A&P Show in Paced and Mannered Classes

- 32 - Open Park Hack over 148cm and up to 153cm
33 - Open Park Hack over 153cm and up to 158cm

Champion and Reserve Champion Park Hack Classes 25 and 26 eligible

- 34 - Lady's Park Hack over 148cm and up to 158cm to be ridden by a Lady
35 - Best Paced and Mannered Park Hack over 148cm and up to 158cm
36 - Best Rider in the Section

SADDLE HORSE CHAMPIONSHIPS

Champion Novice Saddle Horse

to be judged at the completion of the Novice Classes in Saddle Hunter, Saddle Horse, Riding Horse and Park Hack – Classes 2, 13, 23 and 30 eligible

Champion Paced and Mannered Saddle Horse

to be judged at the completion of Saddle Hunter, Saddle Hack, Riding Horse and Park Hack Sections - Classes 3, 8, 14, 20, 24, 27, 31 and 35 eligible

SUPREME CHAMPION SADDLE HORSE

Champion Saddle Hunter, Riding Horse, Saddle Hack and Park Hack Eligible

Tom White Perpetual Trophy

Best Registered Thoroughbred In Hand or Under Saddle - to be shown in hand

PGG WRIGHTSONS

Grand Champion Horse and Pony Accumulator
The Grand Champion Horse Award will be decided on points from exhibits gaining Champion, Reserve Champion & Supreme Champion from West Otago,

Wyndham, Waiau, Winton, Gore and Southland Shows in Saddle Horse, Riding Horse, Park Hack, Saddle Hunter Sections. To be eligible to receive this award, the horse must compete at the 2017 Southland A & P Show.

The Grand Champion Pony Award will be decided on points from exhibits gaining Champion, Reserve Champion & Supreme Champion from West Otago, Wyndham, Waiau, Winton, Gore and Southland Shows in Saddle Hunter Pony, Pony Section A, B and C. To be eligible to receive this award, the pony must compete at the 2017 Southland A & P Show.

The horse and pony with the highest aggregate of points as allocated below to receive a Grand Champion rug sponsored by PGG WRIGHTSON.

Points Allocation: Champion 2 points, Reserve Champion 1 point. Supreme Champion 1 additional point.

In the event of a tie, the following count back system will apply: most Supreme Champions. If still equal then the Supreme Champion at Southland A & P Show shall be declared the winner.

SADDLE PONIES

Judging to commence 9:00am

Marshal: Mrs Dawn Kennedy

- Lead Ponies not eligible for Sections A & B
- Height Certificate will be inspected. Prizes will be forfeited if not produced.
- Novice Classes open to any age rider – incl Adults.
- No Stallions
- Competitors for Championships and Supremes must be available at time of Judging. Judges will not wait.
- Section D & E not eligible for Supreme Champion Judging

Section A

Ponies over 138cm up to 148cm

Riders to be under 17 years as from 1 August 2017

Section B

Ponies up to 138cm

Riders to be under 16 years as from 1 August 2017

Saddle Hunter Pony

Ponies up to 148cm

Riders to be under 17 years as from 1 August 2017

Section D - First Ridden Pony

Ponies to be 138cm and under

Riders to be age 4 and under 10 years as from 1 August 2017

Section E – Lead Rein Pony

Ponies to be 128cm and under

Riders to be age 4 to 7 years as from 1 August 2017

Tippett Silver Tray

Supreme Champion Saddle Pony

SECTION A - Ponies over 138cm & up to 148cm

Section A Saddle Ponies kindly sponsored by **Doug Richardson Builder, Bayer, Alltech, Sinclair Transport, Winton Stockfeeds, Farmlands**

- 39 - Best Presented
40 - Novice Section A Pony - 0-5 wins at an A&P Show in Conformation Classes

- 41 - Novice Paced and Mannered Section A Pony
0-5 wins at any A&P Show in Paced and Mannered Classes

Champion Novice Saddle Pony

to be judged with Novice Pony A & B & Hunter Pony –
Classes 47, 48 & 49 eligible

- 42 - Pony over 143cm and up to 148cm
43- Pony over 138cm and up to 143cm
Champion and Reserve Champion Pony - Section A
Classes 42 & 43 eligible

- 44- Best Paced and Mannered Section A Pony
45 - Best Rider in this Section

SECTION B - Ponies up to 138cm

Section B Saddle Ponies kindly sponsored by NRM, McGreggor Concrete, Doug Richardson Builder, Bayer

- 46 - Best Presented
47 - Novice Pony up to 138cm 0-5 wins at any A&P Show in Conformation Classes
48 - Novice Paced and Mannered Pony up to 138cm, 0-5 wins at any A&P Show in Paced and Mannered Classes

Champion Novice Saddle Pony

to be judged with Novice Pony A & B & Hunter Pony –
Classes 40, 47 and 55 eligible

- 49 - Pony up to 128cm
50 - Pony over 133cm and up to 138cm
51 - Pony over 128cm and up to 133cm

Champion and Reserve Champion Pony – Section B

Classes 49, 50 & 51 eligible

- 52 - Best Paced and Mannered Pony
53- Best Rider in this Section

SADDLE PONY HUNTER UP TO 148CM

Judging to commence 9:00am

- 54 - Best Presented
55 - Novice Saddle Pony Hunter Pony- 0-5 wins at an A&P Show in Conformation Classes
56 - Novice Paced and Mannered Saddle Pony Hunter 0-5 wins at any A&P Show in Paced and Mannered Classes

Champion Novice Saddle Pony

to be judged with Novice Pony A & B & Hunter Pony –
Classes 47, 48 & 55 eligible

- 57 - Open Saddle Pony Hunter up to 138cm
58- Open Saddle Hunter Pony 138cm-148cm

Champion and Reserve Champion Saddle Pony Hunter

Classes 57 & 58 eligible

- 59- Best Paced and Mannered Saddle Pony Hunter
60 - Best Rider in this Section

SADDLE PONY CHAMPIONSHIPS

Champion Novice Saddle Pony

to be judged with Novice Pony A & B & Hunter Pony –
Classes 47, 48 & 55 eligible

Champion Paced and Mannered Saddle Pony

To be judged at the completion of the Saddle Pony Sections – Classes 41, 44, 48, 52, 56 & 59 eligible

SUPREME CHAMPION SADDLE PONY

Champion Section A & B & Hunter Pony Eligible

Best Child Saddle Pony Rider

To be judged after Supreme Champion Saddle Pony
Carrfields kindly offer \$25 for the Champion Rider

PGG WRIGHTSONS

Grand Champion Horse and Pony Accumulator
The Grand Champion Horse Award will be decided on points from exhibits gaining Champion, Reserve Champion & Supreme Champion from West Otago, Wyndham, Waiau, Winton, Gore and Southland Shows in Saddle Horse, Riding Horse, Park Hack, Saddle Hunter Sections. To be eligible to receive this award, the horse must compete at the 2018 Southland A & P Show.

The Grand Champion Pony Award will be decided on points from exhibits gaining Champion, Reserve Champion & Supreme Champion from West Otago, Wyndham, Waiau, Winton, Gore and Southland Shows in Saddle Hunter Pony, Pony Section A, B and C. To be eligible to receive this award, the pony must compete at the 2017 Southland A & P Show.

The horse and pony with the highest aggregate of points as allocated below to receive a Grand Champion rug sponsored by PGG WRIGHTSON.

Points Allocation: Champion 2 points, Reserve Champion 1 point. Supreme Champion 1 additional point.

In the event of a tie, the following count back system will apply: most Supreme Champions. If still equal then the Supreme Champion at Southland A & P Show shall be declared the winner.

SPECIAL CLASSES

Judging to commence at completion Saddle Pony Section

61- *Pony Registered with NZ Riding Pony Society*

Sash presented by NZ Riding Pony Society. Registration numbers to be supplied at time of entry and identification card to be carried on day of show. All registered NZ Riding Ponies Eligible including registered ponies competing in Saddle Ponies, Utility Ponies and First Ridden Ponies..

62 - *The Pony Breeders' Society Ridden Sash*

To be eligible for this class ponies must be fully registered with the society, be 148cm or under and have been foaled in New Zealand. Registration number must be supplied at time of entry and identification card to be carried on day of Show. All registered Pony Breeders' Pony Eligible including registered ponies competing in Saddle Ponies, Utility Ponies and First Ridden Ponies.

If it is subsequently found that the winner of a Pony Breeders Society Sash is not registered with the Society or is an imported Pony they will be required to forfeit this award.

UTILITY HORSE AND PONY SECTION

Utility Horse and Pony section kindly sponsored by WaterForce, Saddlery Warehouse, Bayer, Fiber Fresh Feeds

Judging to commence at 9:00am

Marshal: Amanda Paul

- For Hacks and Ponies not entered in any other ridden section.
- Sweatshirt/jersey, collar, tie and helmet must be worn. (Pony Club Uniform acceptable, no Jackets)
- Ponies and hacks must not be plaited.
- Classes 64, 69 & 74 will be required to complete in a designated workout with an obstacle.
- All competitors under the age of 21 to stipulate age as at 1 August 2017
- Snaffle Bits only
- Local Utility Hack or Pony Class placegetters not eligible for championship.

GROUP A - Riders 13 to 21 years of age as at 1 August 2017

- 63 - Best Presented Utility Pony or Hack and Rider
- 64 - Best Utility Hack or Pony
- 65 - Best Paced and Mannered Utility Hack or Pony

Champion and Reserve Champion Utility Hack or Pony Group A – Ribbon

to be judged from Class 64 & 65

- 66 - Best Rider
- 67 - Local Utility Hack or Pony Class
See Equestrian Rule 14

GROUP B - Riders 11 and 12 years of age as at 1 August 2017

- 68 - Best Presented Utility Pony or Hack and Rider
- 69 - Best Utility Hack or Pony
- 70 - Best Paced and Mannered Utility Hack or Pony

Champion and Reserve Champion Utility Hack or Pony Group B – Ribbon

to be judged from Class 69 and 70

- 71 - Best Rider
- 72 - Local Utility Hack or Pony Class
See Equestrian Rule 14

GROUP C - Riders 10 years and under as at 1 August 2017

- 73 - Best Presented Utility Pony and Rider
- 74 - Best Utility Pony
- 75 - Best Paced and Mannered Utility Pony

Champion and Reserve Champion Utility Pony Group C – Ribbon

to be judged from Class 74 and 75

- 76 - Best Rider
- 77 - Local Utility Hack or Pony Class
See Equestrian Rule 14

SUPREME CHAMPION UTILITY HORSE OR PONY

Champion Group A, B, & C Eligible

SECTION D First Ridden Pony

Judging to commence at 9:00am

- Riders are only eligible to compete in the First Ridden Section for the maximum of 24 months from the date of their first show in the First Ridden Section.
- The same combination may not enter in both the Leading Rein Section and the First Ridden Section, but the *same pony* may be entered in both with a different rider in the First Ridden Section.
- The same combination may not enter in any of the Saddle Pony Sections.
- Riders to be 4 to under 10 years old as at 1 August 2017.
- All ponies in this section to be 138cm and under
Walk and Trot only, canter is optional.

- 78 - Best Presented Pony, Rider and Gear
- 79 - Best Conformation Pony up to 138cm
- 80 - Best First Ridden Pony up to 138cm
- 81 - Local First Ridden Pony up to 138cm
See Equestrian Rule 14
- 82 - Best Paced and Mannered
- 83 - Best Rider

Champion & Reserve Champion First Ridden Pony

Classes 79 and 80 eligible

Weka Pre-School kindly offer \$20 to Champion First Ridden Pony

SECTION E GLEN CREE - Lead Rein Pony

Judging to commence at 10:30am

Glen Cree Pony Stud

offer each child rider a 'show bag' to all exhibits who present themselves in class 85

- The same combination may not enter in both the Leading Rein Section and the First Ridden Section, but the *same pony* may be entered in both with a different rider in the Leading Rein Section.
- The same combination may not enter in any of the Saddle Pony Sections.
- All Ponies to be on the Lead Rein. Lead Rein to be attached to noseband.
- Riders to be 4 – 7 years old as at 1 August 2017.
- All Ponies in this Section to be 128cm and under.
To be shown in snaffle bit.
- 85 - Best Presented Pony, Rider & Gear.
- 86 - Best Child's Learner Pony. To be judged on the suitability as a Child's Pony. Not eligible for Class 87.
- 87 - Ridden Pony on Lead Rein. To be judged on 60% suitability as a lead rein pony and 40% correctness of conformation. Not eligible for Class 86.
- 88 - Best Mannered Lead Rein Pony
- 89 - Best Rider 6 and 7 years of age as at 1 August 2017.
- 90 - Best Rider 4 and 5 years as at 1 August 2017.
- 91 - Local Lead Rein Pony
See Equestrian Rule 14

ARABS, WELSH, IN HAND PONIES, OTHER MIXED BREEDS, GYPSY COBS, CLYDESDALE, SHIRES SECTION

In hand Section kindly sponsored by Winton Paper Plus, Preston Russell Law, Bayer, Farmlands
Marshals: Barbara Wilson

- Horses/Ponies are only eligible to enter in one in hand section on day of show
- Not eligible for Miniature Horse Section
- No Thoroughbred will be eligible to enter the Sport Horse Section or vice-versa.
- No animal competing in the Hack or Thoroughbred Classes will be eligible to compete in Pony Classes or vice-versa.

ARABS

Judging to commence at 8.00am

- 92 - Best Presented Arab and Handler
- 93 - Purebred Arab, 3 years and over
- 94 - Part Bred any age, 3 years and over
- 95 - Purebred/Part Bred Arab Colt, Gelding or Filly under 3 years

Champion and Reserve Champion Arab

WELSH

Kindly sponsored by Southland Welsh Pony & Cob Club Inc

Judging to commence after Arab Section

- Purebred and Part Bred 50% or more
- Registered Dry Mares and Geldings entered in Driven and Ridden Classes and shown in hand classes on the day **may** be plaited.
- Young stock, regardless of the sections **must not** be plaited.
- Welsh Ponies are not eligible for In Hand Ponies Section
- Please specify A, B, C or D type

Hampton Park Trophy
Most Points Welsh Section

- 96 - Best Presented Welsh and Handler
- 97 - Stallion, 3 years and over
- 98 - Dry Mare, 3 years and over
- 99 - Brood Mare with foal at foot
- 100 - Gelding, 3 years and over
- 101 - Yearling or Two years, Colt, Filly or Gelding

Champion and Reserve Champion Welsh
Sashes kindly donated by Southland Welsh Pony & Cob Club Inc

IN HAND PONIES

Judging to commence after Welsh Section

- In Hand Ponies not eligible in Saddle Classes
 - Exhibitors in this section not eligible in any other In Hand Section.
- 102 - Best Presented In Hand Pony and Handler
 - 103 - Pony Stallion up to 148cm, 3 years and over, to be led
 - 104 - Pony Mare up to 148cm with foal at foot

- 105 - Three year old Colt, Gelding or Filly up to 148cm
- 106 - Two year old Colt, Gelding or Filly up to 143cm
- 107 - Yearling Colt, Gelding or Filly up to 138cm
Champion & Reserve Champion In Hand Pony
- 108 - **The Pony Breeders Youngstock Class** – Ponies 3 years and under who are expected to mature 148cm and under and to be fully registered with the Pony Breeders of New Zealand Society. Open to foals, yearlings, two year olds and three year olds.

MIXED BREED TYPES

Judging to commence after In Hand Pony Section
Morgan, Halflinger, Connemara, Morgan, Hackney only eligible for this section (please state breed)

Judging to commence after In Hand Ponies Section

- 109 - Best Presented Mixed Breed Types
- 110 - Mixed Breed Mare or Gelding, 3 years & over
- 111 - Yearling or Two year old Colt, Gelding or Filly
- 112 - Entire, 4 years and over

Champion and Reserve Champion Mixed Breed

GYPSY COBS

Judging to after Mixed Breed Types

All Purebred and Partbred Gypsy Cobs must be correctly registered with the NZ Gypsy Cob Association.

Classes may be combined if insufficient entries

- 113 - Best Presented Gypsy Cob and Handler
- 114 - Purebred Adult 4 years and over
- 115 - Purebred Young stock, 3 years and under
- 116 - Part Bred Adult 4 years and over
- 117 - Part Young stock, 3 years and under

Champion and Reserve Champion Gypsy Cob

CLYDESDALES

Judging to commence after Gypsy Cobs

- 118 - Best Presented Clydesdale Horse and Handler
- 119 - 3 years and over
- 120 - Yearling or Two years, Colt, Filly or Gelding
- 121 - Best Walking Horse
- 122 - Sledge Driving Class

Champion and Reserve Champion Clydesdale Horse

SHIRES

Judging to commence after Clydesdale Section

- 123 - Best Presented Shire Horse and Handler
- 124 - 3 years and over
- 125 - Yearling or Two years, Colt, Filly or Gelding
- 126 - Best Walking Shire Horse
- 127 - Sledge Driving Class

Champion and Reserve Champion Shire Horse

RIDDEN STANDARDBRED

Standardbred section kindly sponsored by **Shard Farm Standardbreds**

Judging to commence at 11:30am

- 133- Best Presented
- 134 - Novice Standardbred under saddle, Mare or Gelding 0-5 wins at any A&P Show
- 135 - Open Standardbred under saddle
- 136 - Best Paced and Mannered Standardbred under saddle
- 137 - Best Rider

Champion and Reserve Champion Standardbred

PONY TROT

Pony Trot section kindly sponsored by **Winton Harness Racing Club**
Horatio Memorial Trophy for Champion Pony Trot
To be held at 12.45pm

- 138 - Pony Trot, open to all ponies up to 148cm to be ridden by boys or girls under 16 years

ALLTECH JUMPING COMPETITIONS

ALL JUMPING RINGS WILL STOP FOR THE GRAND PARADE

Marshals: Sharon McHugh/Carran Paul
Rik Van Miltonberg

ROUND THE RING – Commencing at 1.15pm

- Any person not returning back numbers on Show Day will be fined \$10.
- **Late entries may be taken with double entry fee, late entries to jump last in class. Definitely no entries accepted after 11.30am on the day**
- Three refusals - elimination.

Falconer Shield	R King Challenge Trophy
Novice Horse RTR	Champion Pony RTR
Class 144	Class 145

George Menlove Memorial Trophy
Champion Hack RTR – Class 146

JB Hamilton Memorial Trophy
FEI Improvers Cup – Class 150

Ring 1 – Will run in order as listed

140 - Beginner Pony RTR

for riders 13 years and under on date of show.
Approx 50cm.
Entry Fee: Members \$4, Non Members \$7
Prize Money: First \$10, Second \$7, Third \$5, Fourth \$3

141 – Dave Wilson Contracting - Novice Pony RTR

0-2 Wins at any A&P RTR. Approx 60cm.
Entry Fee: Members \$7, Non Members \$11
Prize Money: First \$30, Second \$20, Third \$10, Forth \$5

142 - Gap Road Poultry Farm - Novice Pony RTR

0-5 Wins at any A&P RTR. Approx 80cm.
Eligible for Novice Pony, Ring 3 but not eligible for Open Pony RTR.
Entry Fee: Members \$11, Non Mem \$15
Prize Money: First \$40, Second \$30, Third \$20, Fourth \$10

143 - Walling Contracting & Prydes Easifeed - Novice Horse RTR

0-2 Wins at any A&P RTR. Approx 80cm
Not eligible for Open RTR.
Entry Fee: Members \$7, Non Members \$11
Prize Money: First \$50 + Product, Second \$40, Third \$30, Fourth \$20, Fifth \$10

144- Birchwood Hunt & Gail Richardson - Novice Horse RTR

0-5 Wins at any A&P RTR. Approx 1m
Not eligible for Open RTR.
Entry Fee: Members \$11, Non Mem \$15
Prize Money: First \$50 + Voucher, Second \$40, Third \$30, Fourth \$20

145 - Rabobank Winton Championship Open Pony RTR

Not eligible for Novice RTR. Approx 1m.
Entry Fee: Members \$11, Non Mem \$15
Prize Money: First \$90, Second \$55, Third \$30, Fourth \$10

146 - Ryal Bush Transport & Zilco Winton Championship Open Horse RTR

Approx 1.05m. Not eligible for Novice RTR.
Entry Fee: Members \$14, Non Mem \$18
Prize Money: First \$120 + Rug Voucher, Second \$80, Third \$50, Fourth \$20

FEI – Commencing at 12.30pm

A MAXIMUM OF TWO STARTS PER HORSE/PONY

Ring 1 – Will run in order as listed :(All classes instant jump off except Class 148 & 149)

- **Entries must be accompanied by an official NZEF entry form with start stickers or annual start pay.**

147 - Southern Saddlery - Pony FEI 1.00m TA5

Entry Fee: Members \$11, Non-Mem \$15
Prize Money: First \$40, Second \$25, Third \$15, Fourth \$10

148 - MacAlisters Barristers & Solicitors - Horse 1.00m TA5

Entry Fee: Members \$11, Non Mem \$15
Prize Money: First \$75, Second \$50, Third \$40, Fourth \$30

149 - Rabobank - Pony FEI 1.10m TA5

Entry Fee: Members \$11, Non Mem \$15
Prize Money: First \$80, Second \$60, Third \$40

150 - Saddlery Warehouse - JB Hamilton Memorial Trophy Horse FEI 1.10m TA5

Entry Fee: Members \$14, Non Mem \$18
Prize Money: First \$100 plus rug, Second \$70, Third \$40, Fourth \$30

ILT MLT 1.10 Horse

This class is open to all horses but only those that haven't competed in a 1.25m class are eligible for points.

The first eligible points place getter to receive an extra \$80 –this will be paid via cheque from the Southland A&P Association.

Series final at Southland A&P Show- winner 1st \$200, 2nd \$150, 3rd \$50 plus ribbons to 5th.

151 - Preston Russell Law - Horse FEI 1.20m TA5 - DS Duff Memorial Trophy

Entry Fee: Members \$16, Non Mem \$20
Prize Money: First \$150, Second \$100, Third \$50, Fourth \$25

152 - Horse FEI 1.30m TA5

Entry Fee: Members \$18, Non Mem \$22
Prize Money: First \$150, Second \$100, Third \$75 (if insufficient entries will not be held)

153 - Novelty 1 Fence Challenge

Open to all horse and pony combinations.

All riders to ride over a jump holding a plastic glass with water in it.

A rider will progress to the next round - increased height only if the glass still has water in it above the marked level.

The winner will be the combination who jumps the highest with sufficient water in the glass.

Entry Fee: Members \$7, Non-Members \$11
Prize Money: First \$30, Second \$20, Third \$15, Fourth \$10

RING 2 – Will run in order as listed:

- Training classes. Instant jump off.

156 - Beginner Pony FEI 50cm TA5

for riders 13 years and under on date of show.
Entry Fee: Members \$4, Non Members \$7
Prize Money: First \$10, Second \$7, Third \$5, Fourth \$3

157- Beginner Pony FEI 60cm TA5

for riders 13 years and under on date of show.
Entry Fee: Members \$4, Non Members \$7
Prize Money: First \$10, Second \$7, Third \$5, Fourth \$3

158 - Alltech - Pony FEI 70cm TA5

Entry Fee: Members \$7, Non Members \$11
Prize Money: First \$20, Second \$15, Third \$10, Fourth \$5

159 - G Lowen Plumbing - Horse FEI 70cm TA5

Entry Fee: Members \$7, Non-Mem \$11
Prize Money: First \$20, Second \$15, Third \$10, Fourth \$5

160 - Nigel Molloy Joinery - Pony FEI 80cm TA5

Entry Fee: Members \$7, Non-Members \$11
Prize Money: First \$20, Second \$15, Third \$10, Fourth \$5

161 - Bayer - Horse FEI 80cm TA5

Entry Fee: Members \$7, Non Members \$11
Prize Money: First \$20 plus product, Second \$15, Third \$10, Fourth \$5

162 - Farmlands McMillan Feeds - Pony FEI 90cm TA5

Entry Fee: Members \$7, Non-Members \$11
Prize Money: First \$30, Second \$20, Third \$15

Farmlands McMillan Feeds Points

Open Horse 90 cm

Open to all horses but only those that haven't competed in a 1.10m class are eligible for points.

Series final at Southland A&P Show

163 - Central Southland Lodge & Prydes Easifeed - Horse FEI 90cm TA5

Entry Fee: Members \$7, Non-Members \$11
Prize Money: First \$40, Second \$30, Third \$20, Fourth \$10

164 - Novelty Pair Jump - Odds'n Evens

Open to all horse and pony combinations, no restrictions.

A speed event, all jumps to be jumped in sequence 1 combination to jump odd numbers, 85cm - 2nd combination to jump even numbers, 1.05m

The winning pair will be the fastest clear round over the set course.

Entry Fee: Members \$7, Non-Members \$11
Prize Money: First \$30, Second \$20, Third \$15, Fourth \$10

NOVELTY CLASSES

Golden Oldies

Golden Oldies section kindly sponsored by Clarke Seed and Feed

Judging to commence at 1:00pm in Novelty Ring

165 - Horse or Pony, 20 years old and over

Fancy Dress Competition

Open to all animals. To be held following the pet section judging. No Entry Fee. Age groups – 15 years and under and 16 years and over

IN HAND NZ SPORT HORSE, THOROUGHBRED & STANDARD BRED

*In hand Section kindly sponsored by Country Jewel,
Winton Paper Plus, Preston Russell Law*

Marshals: Barbara Wilson

- Horses/Ponies are only eligible to enter in one in hand section on day of show
- Not eligible for Miniature Horse Section
- No Thoroughbred will be eligible to enter the Sport Horse Section or vice-versa.
- No animal competing in the Hack or Thoroughbred Classes will be eligible to compete in Pony Classes or vice-versa.

IN HAND NZ SPORT HORSE

Judging to commence 1:00pm

- 166 - Best Presented Sport Horse and Handler
- 167- Mare, 4 years and over
- 168- Gelding, 4 years and over
- 169- Three year old Colt, Gelding or Filly
- 170 - Two year old Colt, Gelding or Filly
- 171- Yearling Colt, Gelding or Filly
- 172 - Broodmare suitable for breeding Sport Horses, must have foal at foot
- 173- Entire, 4 years and over

Champion and Reserve Champion NZ Sport Horse

THOROUGHBRED

Judging to commence 1:00pm

- All Thoroughbreds to be branded
- 174 - Best Presented Thoroughbred and Handler
- 175 - Dry Mare, 4 years and over
- 176 - Gelding, 4 years and over
- 177 - Three year old Colt, Gelding or Filly
- 178- Two year old Colt, Gelding or Filly
- 179- Yearling Colt, Gelding or Filly
- 180 - Brood Mare, must have foal at foot
- 181- Entire, 4 years and over

Champion and Reserve Champion Thoroughbred

IN HAND STANDARD BRED

Judging to commence 1.00pm

- 195 - Best Presented Horse and Handler
- 196 - Mare 3 years and over
- 197 - Gelding 3 years and over
- 198- Broodmare suitable for breeding Standardbreds, must have foal at foot
- 199 - 2 year old & under Colt, Gelding or Filly

Champion and Reserve Champion Standardbred

MEE & HENRY LAW MINIATURE HORSES

*Miniature Horse section kindly sponsored by AgPro,
McGregor Concrete, Mee & Henry Law, Bayer, NRM*

Horses must be registered with bodies affiliated to the RAS. Registration number and Association must be stated on entry form.

This section will run in accordance with NZMHA show rules.

Judging to commence at 8:30am

Marshal: Thelma Busby

- Exhibitors must hold a current height certificate.
- Breed sizes to be divided into two groups
- *Category A:* up to 34 inches high
- *Category B:* over 34 inches & up to 38 inches high

HALTER CLASSES

Category A

- 200 - Best Presented Horse and Handler
- 201 - Yearling, Colt or Filly or Gelding
- 202 - 2 year old Colt, Filly or Gelding
- 203 - Mare, 3 years and over
- 204 - Stallion, 3 years and over
- 206 - Gelding, 3 years and over

Champion & Reserve Champion Category A

Category B

- 207 - Best Presented Horse and Handler
- 208 - Yearling, Colt or Filly or Gelding
- 209 - 2 year old Colt, Filly or Gelding
- 210 - Mare, 3 years and over
- 211 - Stallion, 3 and over
- 213 - Gelding, 3 years and over

**Champion & Reserve Champion Category B
SUPREME CHAMPION MINIATURE
HORSE**

**Sponsor kindly supplying dress rug & sash to
winner**

COLOUR CLASSES/ HEAD & MOVEMENT CLASSES – Category A

- 214 - Multi Colour Horse
- 215 - Solid Colour Horse
- 216 - Most Attractive Head
- 217 - Best Movement

COLOUR CLASSES/ HEAD & MOVEMENT CLASSES – Category B

- 218- Multi Colour Horse
- 219- Solid Colour Horse
- 220 - Most Attractive Head
- 221 - Best Movement

- If insufficient entries Category A & B may be combined

HARNESS

- Horses competing in these classes are not eligible for Non-Hackney Classes
- If there are sufficient entries, Category A & B will be separated

- 225 - Best Presented Horse, Harness, Vehicle & Driver
226 - Single Pleasure Driving - Novice
227 - Single Pleasure Driving - Open
228 - Best Paced and Mannered

Champion and Reserve Champion Harness Miniature Horse

DONKEYS and MULES

*Donkey and Mule section kindly sponsored by
Phoenix Aviation, Saddlery Warehouse, Winton
Stock Feed, Bio Feed*

Judging to commence at 11:00am

Prize Money is relative to the cost of the entry and the number of entries received and is calculated as follow:

- 1 entry only – prize is \$5
2 entries – 1st prize only
3-4 entries – 1st & 2nd
5 or more entries – 1st, 2nd & 3rd

Marshall: Mr Athole Bennie

Tatham Memorial Trophy

Best Gelding - Donkey Section

Blanch McKelvey Memorial Trophy

Donkey Gaining Most Points

- 229 - Best Presented Donkey – judged 50% donkey & 50% handler
230 - Jack, Jenny or Gelding under 2 years
231 - Jenny, 2 years and over
232 - Gelding, 2 years and over
233 - Jack, 2 years and over
234 - Jenny most suitable for breeding
235- Donkey to be shown by Child handler
(16yrs and under)

Champion and Reserve Champion Donkey

- 236 – Best Presented Mule
237 – Mule 2 years and under
238 – Mule 3 years and over
239- Best Ridden Donkey/Mule – *Kindly sponsored by Warehouse Saddlery*

Champion and Reserve Champion Mule

BEEF AND DAIRY CATTLE

Beef and Dairy Cattle Rules and Regulations

To be read in conjunction with the general conditions of the Winton A&P Association as set out on Page 2 of this schedule and the rules and regulations as set out by the Royal Agriculture Society.

1. All placegetters must enter the Grand Parade or forfeit any prize received.
2. **Please Note:** All Beef and Dairy Cattle shown by any exhibitor must be registered at the time of the Show in his or her name in each particular Herd Book or be eligible for registration.
3. **All Dairy Bulls** over one year must be led by stick.
4. **All Beef Cattle** over one year must be led with a nose clip or ring.
5. **All Cattle** to be paraded in the Grand Parade which will be led by the Alliance Group Challenge Trophy winner then catalogue order.

The following criteria will apply in both the Beef and Dairy Cattle Sections.

All pedigree cattle one year old and over must be entered in a recognised HERD BOOK. Proof of dual ownership is required.

Tuberculosis Testing - two documents required

a) The Herd declaration card; All cattle entered for showing, which are three months of age and over must be accompanied in transit by the usual signed and dated TB Declaration Card showing either TB free or C2 Herd status or better in accordance with present law. Transit cards must be produced before cattle trucks are allowed onto the showgrounds to unload stock. Failure to do so will result in stock not being allowed on the showgrounds.

TAG Exemption - exhibitors requiring exemption from tagging must apply to the nearest AgriQuality office to obtain written exemption.

b) **TB Test Certificate Accreditation - TB Movement Controlled Areas:** Cattle three months of age and over which are farmed or grazed within a declared TB movement area must be negative to a TB test within 60 days prior to the start date of the Show. **All Other Areas:** Cattle farmed or grazed outside of the declared TB movement controlled area must be negative to a TB test within 12 months prior to the start date of the Show. A clear TB test certificate showing individual animal identification numbers must accompany completed entry forms when returned to the Secretary.

Entries Close –8 January 2018

OPEN COUNTRY DAIRY SECTION

Dairy Section kindly sponsored by *Milnes Transport, Bulleid Engineering, Clarks Feed & Seed, Dipton Engineering, Gill Motors, Holland Panel Beating, McNaught Engineering, Pypers Produce, Wilson Funeral Services, Farmlands Stock Feed Winton, Andrews Electrical, NRM, Nind Dairy Services, AB Lime, AMP South, McNeil Drilling, CRV Ambred, LIC, Mainland Minerals*

Judging to commence at 8:45am

Chief Marshall: Mr M Wishart

ENTRY FEES & PRIZE MONEY

Entry Fee: Members \$6.00, Non Members \$10.00

Prize Money: First \$10, Second \$8, Third \$5
Except where otherwise stated
(Sponsors donated items maybe awarded in place of prize money)

Winton A&P McKay Memorial Cup
Champion All Breeds Female

Southland Dairy Co-Op Ltd Trophy
All Breeds Yearling Heifer

JC Olive Cup
Most Points in Cattle

Alexander Gerrard Memorial Trophy
Dairy Calves

Robert McIntosh Memorial Trophy
All Breeds Champion Heifer Calf

ALL BREEDS

Prize Money: First \$30, Second \$20, Third \$12, Fourth \$8

248- Cow in Milk, 6 years & over

249 - Cow, in milk 4 & 5 yrs

250 - Heifer, in milk 3 yrs

251 - Heifer, in milk, 2 yrs

Champion and Reserve Champion in Milk

253 - All Breeds Yearling Heifer

Champion and Reserve Champion Yearling Heifer

254 - All Breeds Heifer Calf born since 1 June 2017

Champion and Reserve Champion Heifer Calf

All Sections

Senior Champion and Reserve Champion Cow
Senior Champion and Reserve Champion Bull

Junior Champion and Reserve Champion Heifer
Junior Champion and Reserve Champion Bull

AYRSHIRE

- 255 - Cow in Milk or Cow visibly in calf, 6 yrs & over
- 256 - Cow in Milk or Cow visibly in calf, 4 & 5 years
- 257 - Heifer, 3 years, in milk or visibly in calf
- 258 - Heifer, 2 years, in milk or visibly in calf
- 259 - Best Uddered Cow or Heifer any age
- 260 - Best Type and Production Class

Cows must have been entered in their appropriate age class & must have a production record of not less than the following standards in the previous lactation year:

Age at Starting Test	305 day Test	Protein
2 years	140kg butterfat	110kg
3 years	160kg butterfat	125kg
4 years	180kg	140kg
Mature	200kg	155kg

Type - 100 points maximum for first cow
 2 yrs - 1 point for every 3kg above standard
 3 yrs - 1 point for every 3.5kg above standard
 4 yrs - 1 point for every 4kg above standard
 Mature - 1 point for every 4.5kg above standard

A DECLARATION RELATING TO PRODUCTION RECORDS MUST ACCOMPANY THE ENTRY. (Must be produced prior to entering the ring)

- 261 - Best Female 2 years or over, bred by exhibitors
- 262 - Three Females, 1 year and upwards, the progeny of one sire
- 263 - Junior Yearling Heifer, born between 1 June and 14 September
- 264 - Junior Yearling Heifer Born since 15 September
- 265 - Best two Yearling Heifers
- 266 - Heifer Calf born since 1 June
- 267 - Bull, born since 1 June
- 268 - Bull Calf, born since 1 June
- 269 - Junior Breeding Group - Bull, 1 year and two yearling Heifers or Bull Calf and two heifer calves.

SUPREME CHAMPION AYRSHIRE

JERSEY

- 270 - Cow in Milk or Cow visibly in calf, 6 yrs & over
- 271 - Cow in Milk or Cow visibly in calf, 4 & 5 years
- 272 - Heifer, 3 years, in milk or visibly in calf
- 273 - Heifer, 2 years in milk or visibly in calf
- 274 - Best Uddered Cow or Heifer any age
- 275 - Best Type and Production Class

Cows must have been entered in their appropriate age class & must have a production record of not less than the following standards in the previous lactation year:

Age at Starting Test	305 day Test	Protein
2 years	140kg butterfat	110kg
3 years	160kg butterfat	125kg
4 years	180kg	140kg
Mature	200kg	155kg

Type - 100 points maximum for first cow
 2 yrs - 1 point for every 3kg above standard
 3 yrs - 1 point for every 3.5kg above standard
 4 yrs - 1 point for every 4kg above standard
 Mature - 1 point for every 4.5kg above standard

A DECLARATION RELATING TO PRODUCTION RECORDS MUST ACCOMPANY THE ENTRY. (Must be produced prior to entering the ring)

- 276 - Best Female 2 years or over, bred by exhibitors
- 277 - Three Females, 1 year and upwards, the progeny of one sire
- 278 - Junior Yearling Heifer, born between 1 June and 14 September
- 279 - Junior Yearling Heifer Born since 15 September
- 280 - Best two Yearling Heifers
- 281 - Heifer Calf born since 1 June
- 282 - Bull, born since 1 June
- 283 - Bull Calf, born since 1 June
- 284 - Junior Breeding Group - Bull, 1 year and two yearling Heifers or Bull Calf and two heifer calves.

SUPREME CHAMPION JERSEY

HOLSTEIN FRIESIAN

*Winton A&P Association Cup
 Champion Female Friesian*

- 285 - Cow in Milk or Cow visibly in calf, 6 yrs & over
- 286 - Cow in Milk or Cow visibly in calf, 4 & 5 years
- 287 - Heifer, 3 years, in milk or visibly in calf
- 288 - Heifer, 2 years, in milk or visibly in calf
- 289 - Best Uddered Cow or Heifer any age
- 290 - Best Type and Production Class

Cows must have been entered in their appropriate age class & must have a production record of not less than the following standards in the previous lactation year:

Age at Starting Test	305 day Test	Protein
2 years	140kg butterfat	110kg
3 years	160kg butterfat	125kg
4 years	180kg	140kg
Mature	200kg	155kg

Type - 100 points maximum for first cow
 2 yrs - 1 point for every 3kg above standard
 3 yrs - 1 point for every 3.5kg above standard
 4 yrs - 1 point for every 4kg above standard
 Mature - 1 point for every 4.5kg above standard

A DECLARATION RELATING TO PRODUCTION RECORDS MUST ACCOMPANY THE ENTRY. (Must be produced prior to entering the ring)

- 291 - Best Female 2 years or over, bred by exhibitors
- 292 - Three Females, 1 year and upwards, the progeny of one sire
- 293 - Junior Yearling Heifer, born between 1 June and 14 September
- 294 - Junior Yearling Heifer Born since 15 September
- 295 - Best two Yearling Heifers
- 296 - Heifer Calf born since 1 June
- 297 - Bull, born since 1 June
- 298 - Bull Calf, born since 1 June
- 299 - Junior Breeding Group - Bull, 1 year and two yearling Heifers or Bull Calf and two heifer calves.

SUPREME CHAMPION HOLSTEIN FRIESIAN

ANY OTHER DAIRY BREEDS

- 300 - Cow in Milk or Cow visibly in calf, 6 yrs & over
- 301 - Cow in Milk or Cow visibly in calf, 4 & 5 years
- 302 - Heifer, 3 years, in milk or visibly in calf
- 303 - Heifer, 2 years, in milk or visibly in calf
- 304 - Best Uddered Cow or Heifer any age
- 305 - Best Type and Production Class

Cows must have been entered in their appropriate age class & must have a production record of not less than the following standards in the previous lactation year:

Age at Starting Test	305 day Test	Protein
2 years	140kg butterfat	110kg
3 years	160kg butterfat	125kg
4 years	180kg	140kg
Mature	200kg	155kg

Type - 100 points maximum for first cow

2 yrs - 1 point for every 3kg above standard

3 yrs - 1 point for every 3.5kg above standard

4 yrs - 1 point for every 4kg above standard

Mature - 1 point for every 4.5kg above standard

A DECLARATION RELATING TO PRODUCTION RECORDS MUST ACCOMPANY THE ENTRY. (Must be produced prior to entering the ring)

- 306 - Best Female 2 years or over, bred by exhibitors
- 307 - Three Females, 1 year and upwards, the progeny of one sire
- 308 - Junior Yearling Heifer, born between 1 June and 14 September
- 309 - Junior Yearling Heifer Born since 15 September
- 310 - Best two Yearling Heifers
- 311 - Heifer Calf born since 1 June
- 312 - Bull, born since 1 June
- 313 - Bull Calf, born since 1 June
- 314 - Junior Breeding Group - Bull, 1 year and two yearling Heifers or Bull Calf and two heifer calves.

SUPREME CHAMPION ANY OTHER DAIRY BREEDS

DAIRY CALVES

Dairy Calves Section kindly sponsored by Clarks Feed & Seed

Judging to commence 9:00am

- Calves to follow the Milking Classes in the Grand Parade.
- 315 - Calf - Born since 15 August 2017
To be judged on handling, knowledge and condition. Exhibitor to be over 10 years of age and up to 15 years of age.
- 316 - Calf - Born since 15 August 2017
To be judged on handling, knowledge and condition. Exhibitor to be 10 years of age and under.

PROGRESSIVE LIVESTOCK BEEF SECTION

Beef Section kindly sponsored by Allflex, Alistair Henderson Contracting, Conasg Contracting & Engineering, Dion King Contracting, Geoff Jukes Contracting, HEN Batt & Sons, Keen Contracting, K A Booth, Fred & Judith Stevens, Lodge Electrical, McDermotts Coaches, Waianiwa Hedgecutting, PFC, R Jack Contracting, Standalone Trading, South Stock

Judging to commence at 8:30am

Chief Marshall: Ava Hunt

Ring Stewards: G Anderson, C Hamilton, N Hamilton, F Stevens

Recording Stewards: D Hellyer

ENTRY FEES & PRIZE MONEY

Entry Fee: Members \$5, Non Members \$8

Prize Money: First \$10, Second \$8, Third \$5

Except where otherwise stated

(Sponsors donated items maybe awarded in place of prize money)

Please note: If there are more than ten (10) entries in a class prize money will increase to First \$12.00, Second \$9.00, Third \$6.00, Fourth \$4.00

Alliance Group Challenge Trophy

Supreme Champion All Beef Breeds

Trophy

Champion Beef Yearling Heifer

Most Points Beef Section

Trophy

Champion All Beef Breeds Yearling Bull

South Stock

Champion Beef Heifer Calf

South Stock

Champion Beef Bull Calf

Southfert Trophy

presented to greatest number first places in Beef All Breeds

John Robins Memorial JUNIOR HANDLER COMPETITION

Judging to commence 9:00am

No Entry Fee - Enter on the Day by 8:30am

Prize Money: First \$20, Second \$15, Third \$10, Fourth \$5, Fifth \$2

- *Points will accumulate for the Young Handlers Competition at any of the following shows:*
Wyndham Southland
Winton Gore
- *Age of Exhibitor – 7 years to 21 years as at 31 December 2017.*
- *Animals to have no horns*

- To be judged on presentation of the handler and handling.
- To be judged by the nominated breed judges outside the ring. Dummy Judge in the ring.
- Points: First 5; Second 4; Third 3; Fourth 2; Fifth 1; In the event of the accumulated placing being tied, the exhibitor with the highest placings will be deemed the winner. If still a tie, it will be up to the Judges and the Allbreeds Committee.

- 317 - Junior Calf Handling Competition
7 years and under - *Must be a Calf*
- 318 - Calf Handling Competition
8 years to 12 years - *Must be a Calf* -
Accumulated points system between the four shows
- 319 - Heifer Handling Competition
13 years to 21 years - *Must be a Heifer* -
Accumulated points system between the four shows

BEEF YOUTH HERDSPERSON

- No entry fee
- One entry per person

Conditions:

- Animals paraded in the Senior and Intermediate classes must be a Yearling Heifer or Bull of any Beef Breed born on or after 1 June 2017. They must be entered in their respective breed classes.
- Animals paraded in the Junior class may be a Beef Yearling Heifer or Beef Cross Calf and do not necessarily have to be entered in any classes.

Note:

- The Beef Marshal reserves the right to any decisions related to the appropriate size of the animal for any exhibitor.
- Competitors do not need to own the animal. The animals will not be judged.
- All Competitors must use nose clips/rings in their Yearling animals.
- Competitors are to wear breed uniforms, white coats or clean and tidy clothes and clean footwear (no gumboots). Numbers are supplied.

Criteria for Judging

- Ability to control, handle and marshal with recognition given for stockmanship, general livestock knowledge, self presentation and safety.

Points

- Maximum 100 Points – the winner of the class will be the Competitor with the highest points.
 - Ability to control (25 points)
 - Handle and Marshal with recognition for stockmanship (25 points)
 - General livestock knowledge (25 points)
 - Self presentation and safety (25 points)

- 320 - **Beef Youth Herdsperson - Senior**
Competitors male or female - under 23 years of age on the day of Judging.

- 321 - **Beef Youth Herdsperson - Intermediate**

Competitors male or female - 12 to 17 years of age on day of Judging.

- 322 - **Beef Youth Herdsperson - Junior**
Competitors male or female – 5 to 11 years of age on the day of Judging.

LARGE BREEDS

- 330 - Bull, 2 years and upwards
331 - Bull, 1 year
332 - Bull Calf born since 1 June

Champion and Reserve Champion Male

- 333 - Cow, 3 years or over, with calf at foot or visibly in calf
334 - Heifer, 2 years
335 - Heifer, 1 year
336 - Heifer Calf born since 1 June

Champion and Reserve Champion Female

SUPREME CHAMPION LARGE BREEDS

SMALL BREEDS

- 340 - Bull, 2 years and upwards
341 - Bull, 1 year
342 - Bull Calf born since 1 June

Champion and Reserve Champion Male

- 343 - Cow, 3 years or over, with calf at foot or visibly in calf
344 - Heifer, 2 years
345 - Heifer, 1 year
346 - Heifer Calf born since 1 June

Champion and Reserve Champion Female

SUPREME CHAMPION SMALL BREEDS

MEAT AND WOOL CUP SUPREME CHAMPION BEEF

To be judged in Front of Grandstand –
Male & Female Champions of each breed qualify

BEEF/CROSS CALVES

Post entry - no entry fee
Judging to be approximately 10:00am

- 367- To be judged on care, condition, handling and knowledge.

BEEF ALL BREEDS

Southfert Trophy

presented for the Greatest Number first placings in Beef
All Breeds

Entry Fee: Members \$5, Non Members \$8
Prize Money: First \$30, Second \$20, Third \$12,
Fourth \$8

- 368 - All Breeds Senior Bull
 - 369 - All Breeds Cow
 - 370 - Heifer, 2 years
 - 371 - Trophy for Beef Yearling Heifer
 - 372 - Trophy for Beef Yearling Bull
 - 373 - South Stock Beef Heifer Calf
 - 374 - South Stock Beef Bull Calf
 - 375 - Two Yearlings
 - 376 - 2 animals any age, progeny of same sire or
same dam
 - 377 - A Group of Three Animals
- If there are sufficient entries then classes 373 and 374
may be split on age
- 379 - Two Calves, male or female by
one Sire to be nominated

CROWE HORWATH SHEEP SECTION

Sheep section kindly sponsored by Professionals Real Estate, Scullys Transport, Sinclair Transport, Slinkskins Tannery, Spain Smith Shearing, Wilson Keen, McConachie Shearing, Baker Wools, PGG Wrightson, Drummond Motors, Milnes Transport, Merial Ancare, Ravensdown, Forde Shearing, AB Lime, Balance Agri-Nutrients, Fernhills Lime, Mervnmilly, Central Southland Freight, Chilton Shearing, Farmlands Farm Centre, Farmers Dipping, Ian Goodman Plumbing, Lace Ups, Winton A&P Research Farm, Westpac Winton

Judging to commence 8:30am

Chief Marshal: Mr Brent Mackintosh

Assistant Marshals: Mr Ian Lindsay, Mr Malcolm
Anderson, Mrs S Casey

ENTRY FEES & PRIZE MONEY

Entry Fee: Members \$5, Non Members \$8
Prize Money: First \$10, Second \$8, Third \$5

Except where otherwise stated
(Sponsors donated items maybe awarded in place of
prize money)

Prize Money is relative to the cost of the entry and the
number of entries received and is calculated as follow:

- 1 entry only – prize is \$5
- 2 entries – 1st prize only
- 3-4 entries – 1st & 2nd
- 5 or more entries – 1st, 2nd & 3rd

Entries close 8 January 2018

Sheep Rules and Regulations

To be read in conjunction with the general conditions of
the Winton A&P Association as set out on Page 2 of
this schedule and the rules and regulations as set out
by the Royal Agriculture Society.

All sheep must be penned by 8:00am

- All rams over six months must be from an accredited Brucellosis Free Flock. Entries will not be accepted unless accompanied by a current photocopied certificate.
- All classes to be shorn except woolly lamb classes.
- All Shorn Sheep to be shorn not earlier than 20 July & not later than 1 calendar month prior to the Show.
- No Sheep to be exhibited in more than one class.
- All Sheep will be eligible for Championship Prizes
- The Committee reserves the right to allot Specials in lieu of Prize Money mentioned in the Schedule. The Committee expect a few Special Prizes which they will allot as they may think advisable. The Association has received a number of Trophies which accordingly will be allotted in the Catalogue.

Best Ewe Lamb, Wool Breeds
sponsored by Fernhills Lime Co

Balance Trophy
Best Ram Lamb, Wool Breeds
sponsored by Balance Agri-Nutrients

Sponsored by Carrfields
Best Ewe Lamb, Meat Breeds

Lady Barkly Challenge Trophy
Best Ram Lamb, Meat Breeds *sponsored by AB Lime*

Tas Weily Memorial Trophy
Best Breeding Female over 20 months of any Breed -
sponsored by Hecton Products

Most Points Wool Breeds
sponsored by AB Lime

Most Points Meat Breeds
sponsored by Fernhills Lime

Winton A&P Research Farm Trophy
Most points in Black and Coloured Section

Graham King Tray
Most Points in Sheep Section

Thomas Thomson Trophy
Ewe under 20 months – Hampshire

- All stock for the above Trophies may have to be held for judging.
- The *All Breeds Trophies* will be judged at 11:00am.

All Sections

Champion and Reserve Champion Ram
Champion and Reserve Champion Ewe

BORDER LEICESTER

James Pirie Trophy
Most Points Border Leicester Section

Border Leicester Breed Committee of the NZ Sheepbreeders' Association

Supreme Champion Border Leicester \$25

- Three exhibitors with one or more entries each, or two exhibitors with two or more entries each, or no award will be made.

- 400 - One Ram Lamb
- 401 - Pair of Ram Lambs
- 402 - One Ewe Lamb
- 403 - Pair of Ewe Lambs
- 404 - Ewe, over 20 months
- 405 - Ewe, under 20 months
- 406 - Ram, over 20 months
- 407 - Ram, under 20 months

SUPREME CHAMPION BORDER LEICESTER

ROMNEY

GG Grieve Trophy
Most Points in Romney Sheep

JD Henderson Memorial Trophy
Champion Romney Ram

JL McDonald Tray
Best Romney Ram Lamb

GJ Calder Memorial Trophy
Champion Romney Ewe

- 408 - One Ram Lamb
- 409 - Pair of Ram Lambs
- 410 - One Ewe Lamb
- 411 - Pair of Ewe Lambs
- 412 - Ewe, over 20 months
- 413 - Ewe, under 20 months
- 414 - Ram, over 20 months
- 415 - Ram, under 20 months

SUPREME CHAMPION ROMNEY

SHROPSHIRE

- 416 - One Ram Lamb
- 417 - Pair of Ram Lambs
- 418 - One Ewe Lamb
- 419 - Pair of Ewe Lambs
- 420 - Ewe, over 20 months
- 421 - Ewe, under 20 months
- 422 - Ram, over 20 months
- 423 - Ram, under 20 months

SUPREME CHAMPION SHROPSHIRE

BLACK AND COLOURED SHEEP

- 424 - One Ram Lamb, woolly
- 425 - Pair of Ram Lambs, woolly
- 426 - One Ewe Lamb, woolly
- 427 - Pair of Ewe Lambs, woolly
- 428 - Ewe, over 20 months
- 429 - Ewe, under 20 months
- 430 - Ram, over 20 months
- 431 - Ram, under 20 months

SUPREME CHAMPION BLACK AND COLOURED

HAMPSHIRE

Coopers Animal Health Trophy Points
Most points Special Class – Ram Lamb

- 432 - One Ram Lamb
- 433 - Pair of Ram Lambs
- 434 - One Ewe Lamb
- 435 - Pair of Ewe Lambs
- 436 - Ewe, over 20 months
- 437 - Ewe, under 20 months
- 438 - Ram, over 20 months
- 439 - Ram, under 20 months

SUPREME CHAMPION HAMPSHIRE

SOUTHDOWN

- 440 - One Ram Lamb
- 441 - Pair of Ram Lambs
- 442 - One Ewe Lamb
- 443 - Pair of Ewe Lambs
- 444 - Ewe, over 20 months
- 445 - Ewe, under 20 months
- 446 - Ram, over 20 months
- 447 - Ram, under 20 months

SUPREME CHAMPION SOUTHDOWN

SOUTH SUFFOLK

- 448 - One Ram Lamb
- 449 - Pair of Ram Lambs
- 450 - One Ewe Lamb
- 451 - Pair of Ewe Lambs
- 452 - Ewe, over 20 months
- 453 - Ewe, under 20 months
- 454 - Ram, over 20 months
- 455 - Ram, under 20 months

SUPREME CHAMPION SOUTH SUFFOLK

SUFFOLK

- 456 - One Ram Lamb
- 457 - Pair of Ram Lambs
- 458 - One Ewe Lamb
- 459 - Pair of Ewe Lambs
- 460 - Ewe, over 20 months
- 461 - Ewe, under 20 months
- 462 - Ram, over 20 months
- 463 - Ram, under 20 months

SUPREME CHAMPION SUFFOLK

POLL DORSET

- 464 - One Ram Lamb
- 465 - Pair of Ram Lambs
- 466 - One Ewe Lamb
- 467 - Pair of Ewe Lambs
- 468 - Ewe, over 20 months
- 469 - Ewe, under 20 months
- 470 - Ram, over 20 months
- 471 - Ram, under 20 months

SUPREME CHAMPION POLL DORSET

DORPER

- 472 - One Ram Lamb
- 473 - Pair of Ram Lambs
- 474 - One Ewe Lamb
- 475 - Pair of Ewe Lambs
- 476 - Ewe, over 20 months
- 477 - Ewe, under 20 months
- 478 - Ram, over 20 months
- 479 - Ram, under 20 months

SUPREME CHAMPION DORPER

DORSET DOWN

**Dorset Down Breed Committee of the NZ
Sheepbreeders' Association**
Offers rosettes for –
Best Shorn Ram Hogget
Best Shorn Ewe Hogget

- 480 - One Ram Lamb
- 481 - Pair of Ram Lambs
- 482 - One Ewe Lamb
- 483 - Pair of Ewe Lambs
- 484 - Ewe, over 20 months
- 485 - Ewe, under 20 months
- 486 - Ram, over 20 months
- 487 - Ram, under 20 months

SUPREME CHAMPION DORSET DOWN

TEXEL

*25 Years in New Zealand. Special Rosettes
will be awarded by the Texel Association*

- 488 - One Ram Lamb
- 489 - One Ewe Lamb
- 490 - Ewe, over 20 months
- 491 - Ewe, under 20 months
- 492 - Ram, over 20 months
- 493 - Ram, under 20 months

SUPREME CHAMPION TEXEL

**Thomas Thomson Trophy –
Ewe under 20 months**

COMMERCIAL & NON-REGISTERED SHEEP

- All Shorn Sheep to be shorn not earlier than 20 July, and not later than one calendar month prior to Show.
- If sufficient entries this section will be split into Meat and Wool breeds

Deegan Trophy

Best Ewe Lamb in Commercial Section

JG Pullar Trophy

Most Points Commercial Section

- 494 - One Ram Lamb
- 496 - One Ewe Lamb
- 497 - Pair of Ewe Lambs
- 498 - Ewe, over 20 months
- 499 - Ewe, under 20 months

Johnnie Walker Cup – winner of class 499

SUPREME CHAMPION COMMERCIAL & NON-REGISTERED SHEEP

PRIME LAMB COMPETITION

Post Entries Entries close at 8:30am
Entry Fee: \$5 member, \$8 non member /per pen

- Carcass weight: 15 to 21.2kg
- GR measurement between 5 and 9mm
- Grading to be to AGL Standards
- Stock judged at the show on the hoof grazed overnight then transported to the works on Sunday, killed on Monday, viewing on Tuesday Morning – more information on Show Day.
- The stock remains the property of the exhibitor.

- 500 - **Two Lambs on the hoof – Terminal Sire**
 501 - **Two Lambs on the hoof – Wool Breed Sire**
 502 - **Prime Lamb on the hook**
 – includes Classes 497 and 498

PET LAMB and PET ADULT SHEEP

Kindly sponsored by **Westpac Winton**

Judging to commence at 10:30am in front of Grandstand

- Post Entries
 - Open to children under 13 years of age
- 503- Pet lamb – Exhibitor under 8 years
 504- Pet Lamb – Exhibitor 8 years & over
Champion & Reserve Champion Pet Lamb
 505 - Best Pet Adult Sheep not to be shown in other classes and not to count in points
Champion & Reserve Champion Adult Sheep

CHILDRENS PET COMPETITION

Judging to commence at 10:30am in front of Grandstand

- Entries to be in hand of secretary prior to show day
- No entry fee payable
- Please state age of the handler and type of pet on the entry form
- All dogs must have a current hydatids certificate
- No calves, lambs or ponies
- Entries will be judged on presentation, knowledge, care, handling and condition of pet
- Open to children 15 years of age and under

Classes will be divided on the day by age & pet.

FANCY DRESS COMPETITION

Kindly sponsored by **Farmlands Contracting**

Judging to follow the Pet Competition

Open to all animals. To be held following the Childrens Pet Competition. No Entry Fee. Age groups – 15 years and under and 16 years and over

SHOW DOG TRIALS

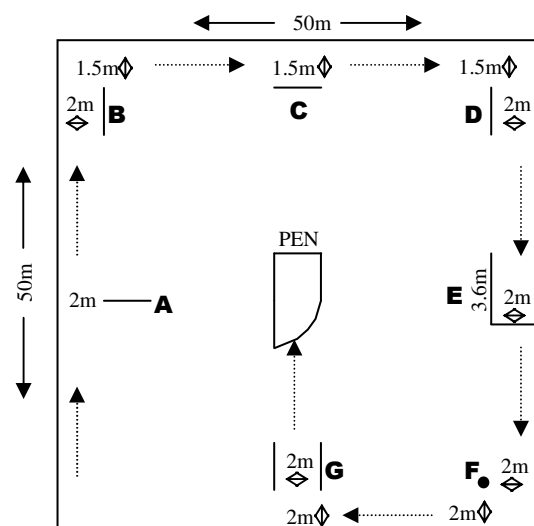
Dog Trials kindly sponsored by **FMG, Novartis Animal Health**

Trial commences at 8:00am at the Showgrounds

Judge: Steve Bellew

Chief Marshal: Geoff Tweedie

D Hughes Trophy – Open Class
Robert J Anderson Trophy – Maiden Class



Time will start on release of sheep. All drives, except approach to pen. Competitor must go through **A**, **B**, **C**, **D** and **F**. At **E**, competitor must go to head of gate once sheep are in. If sheep break out of **E**, competitor may go back to help dog. At **G**, competitor does not go through obstacle. Once sheep are clear of **G**, competitor must go directly to head of gate.

Time allowed: 10 minutes

Open - 1st \$60, 2nd \$40, 3rd \$20, 4th \$15, 5th \$10
 Maiden – 1st \$40, 2nd \$20, 3rd \$10

Entry Fee: \$5 per dog

There will also be sponsored prizes awarded to various runs & dogs. Bench Classes, Most unlucky run, Most Promising young dog

LIST OF TROPHIES FOR ANNUAL SHOW

JA Broom Memorial Challenge Shield
 Most Points in Show

Presidents Trophy
 Most Points in Show

EQUESTRIAN SECTION

Tom White Perpetual Trophy
 Best Registered Thoroughbred In
 Hand or Under Saddle - to be shown
 in hand
 2017 – Julianne Baynes

Adrian-Kismet Challenge Cup
 Best Turnout, Harness Section
 2017 – Not Awarded

Winton A&P Gow Memorial Trophy
 Most Points in Equestrian Section
 from one Identity
 2017 –

M McKay Cup
 Most Points Park Hack Section
 2017 – Melissa Falconer

Hampton Park Trophy
 Most Points Welsh Pony Section
 2017 –

Winton A&P Association Cup
 Most Points in Saddle Hack Section
 2017 – Aurora Grant

Tippett Silver Tray
 For Supreme Champion Saddle Pony
 2017 – Tessa Gill-McIlwrick

Andrew Falconer Shied
 Winton Branch of the Birchwood Hunt
 RTR – Class 144
 2017 –

George Menlove Memorial Trophy
 Winton Championship Horse RTR
 Class 146
 2017 -

JB Hamilton Memorial Trophy
 FEI Improvers Cup – Class 150
 2017 – Amanda Paul

R King Challenge Trophy
 Pony Championship RTR - Class 145
 2017 –

Tatham Memorial Trophy
 Best Gelding Donkey Section
 2017 – Shirley Black

Blanch McKelvey Memorial Trophy
 Donkey Gaining Most Points
 2017 – Joan Rabbitt

Harper Horse Coaches Trophy
 for most points in Saddle Hunter
 Section
 2017 – Holly Anderson

Horatio Memorial Trophy
 For Champion Pony Trot
 2017 – Annalise Hammond

DS Duff Memorial Trophy
 Horse FEI 1.20m – Class 151
 2017 – Chelsea McPhail

Firegleam Trophy
 Champion Saddle Hunter
 2017- Sonja Swale

Rock n Rhythm Trophy
 Supreme Champion Saddle Horse
 2017- Julieanne Baynes

BEEF CATTLE SECTION

Alliance Group Ltd Challenge Trophy
 Supreme Champion All Beef Breeds

Southfert Trophy
 represented Greatest Number First
 Places Beef All Breeds

Champion All Beef Breeds Yearling
 Bull

AB Lime
 Most Points Beef Section

Champion Beef Yearling Heifer

South Stock
 Champion Beef Heifer Calf

South Stock
 Champion Beef Bull Calf

**Flemington Park Stud Junior Herds
 Person**

DAIRY CATTLE SECTION

Southland Dairy Co-Op Ltd Trophy
 All Breeds Yearling Heifer Class

RJ Anderson Cup
 Champion of Champion
 Dairy Animal

**Alexander Gerrard Memorial
 Trophy**
 Champion All Breeds Heifer Calf

M McKay Memorial Cup
 Champion All Breeds Female

JC Olive Cup
 Most Points Cattle

Winton A&P Association Cup
 Female Champion Holstein Friesian

Robert McIntosh Memorial Trophy
 All Breeds Champion Heifer Calf

SHEEP SECTION

Graham King Tray
 Most Points in Sheep Section

Most Points, Wool Breeds

Best Ewe Lamb, Wool Breeds
sponsored by Fernhills Lime Co

Tas Waily Memorial Trophy
 Best Breeding Female over 20
 months of any Breed - **sponsored by
 Fluidfert**

Winton A&P Association Trophy
 Most Points in Black and Coloured
 Sheep

Lady Barkly Challenge Trophy
 Best Ram Lamb, Meat Breeds
sponsored by Awarua Browns Lime

Ballance Trophy
Best Ram Lamb, Wool Breeds

James Pirie Trophy
Most Points Border Leicester Section

JL McDonald Tray
Best Romney Ram Lamb

GG Grieve Trophy
Most Points Romney Sheep

JD Henderson Memorial
Champion Romney Ram

Thomas Thomson Memorial Trophy
Ewe under 20 months

Deegan Trophy
Best Ewe Lamb in Commercial
Section

GJ Calder Memorial Trophy
Champion Romney Ewe

Johnnie Walker Cup
Prime Lamb on the hook

GOAT SECTION

Broad Small Cup
Most Points over all Angora Goat
Classes

B&D Robins Trophy
Best 2 tooth Angora Doe Bred in
Southland

Muffet Trophy
Champion Doe

Lyndon Angora Trophy
Supreme Champion Goat

Landcorp Ltd Cup
Best 2 tooth Buck Bred in Southland

Landcorp Ltd Cup
Champion Angora Kid

Melrose Trophy
Ross & Andre Aitken
Most Points Fleece Section

Irene Campbell Trophy
Champion Mohair Fleece

Poplar Trophy
Champion Buck

DOG TRIALS

D Hughes Trophy
Open Class

Robert J Anderson Trophy –
Maiden Class



WINTON A&P ASSN

103rd Annual Show – Saturday 20 January 2018

Entries Close – 8 January 2018

All exhibitors who make an entry in the show become liable for the fee, whether the entry be accepted by phone or in writing (no refund). PLEASE NOTE: If catalogue is paid with entry when the Entries are acknowledged, a Card will be included which can be exchanged for a Catalogue at the Secretary's Office, Showground.

EQUESTRIAN

Class No	No of Entries	Name of Horse	Registration No	Name of Rider	Pony Club Age	Entry Fee
					Fees Transferred from Reverse	

Winton Show Bank Account 030960 0087182 00

Name of Exhibitor _____ Phone _____

Postal Address _____

Email Address: _____

Fees Transferred from Reverse

Total Fees

Membership \$20.00

Administration Fee Ground Fee (compulsory)

10.00

Catalogue (cross out if not required)

5.00

\$ Amount Enclosed

**Post Entries to:
Winton A&P Association
PO Box 8016
Glengarry
INVERCARGILL 9845**

SIGNATURE: _____

EXHIBITOR DECLARATION – The attention of exhibitors is particularly drawn to the conditions relating to the misuse of drugs, and the intention of the Committee to undertake testing for forbidden substances. My Signature hereto (on this entry form) and/or participation in the competition/s denotes my acceptance of the Winton A&P Society's Rules and the RAS Forbidden Substances Rules and Regulations and Conditions. I accept the Association's conditions of entry and indemnify the Association under the provisions of Health and Safety in Employment Act 1993.

