

the greatest little show in Southland



WINTON A&P ASSOCIATION

SCHEDULE

of the
107th ANNUAL SHOW

Saturday 16th January 2021

at the
Winton Racecourse

ENTRIES CLOSE 4 January 2021
Please Return All Trophies by 1 December 2020



Wayne Malcolm
President
Ph (022) 081 0377

Diane Goodall
Show Secretary
Ph: (03) 217 2624

Sharon Muirhead
Entries Secretary
Ph: (03) 230 4552

Website: www.wintonapshow.co.nz

GENERAL RULES AND REGULATIONS

1. All Exhibits to be bona fide property of the Exhibitor at the time of entry. The age of animals exhibited must be stated when entering them for the show.
2. All bulls for exhibition to be led by a ring or halter. All Cattle, except Prime Stock, to be shown in the ring.
3. No diseased animal, or animals, from a flock or herd known to be infested with disease, will be allowed to be shown. On this point, a declaration may be required by the Secretary from the Exhibitor.
4. The decision of the Judges will be final.
5. Ages of animals to be reckoned from 1 June (except where specially stated.)
6. Entries close with the Secretary on 4 January 2021. If late entries are accepted, they will be charged at double price.
7. Admission will be granted on a class ticket.
8. The Judges will commence their inspection at allotted time. They will decide without inquiry as to the names of the parties or places and will refer merely to quality of animals exhibited. Judges are directed not to give undue weight to high condition (except condition classes of Prime Stock) but to award the prizes to animals in each class which they consider best represent the particular breed or description intended to be encouraged. The Judges are directed to pass over all whose want of condition betokens weakness of constitution, however great their merits may be in other respects. Any Cow or Ewe which, in the opinion of the Judge, is barren shall be eligible to take a prize only in the Prime Stock classes.
9. Where there is no competition in any class, no prizes are to be awarded unless the Judge certifies to special merit.
10. Stock for Exhibition to be in the yards before 8:00am on the morning of the show. No removal of Exhibits will be allowed before 4:00pm without the sanction of the Committee.
11. The prize money MUST be claimed within 10 days after the Show, or else it will be forfeited and become the property of the Society.
12. Class sponsorship monies and product are subject to confirmation and will be paid in lieu of Association prize money. The Association takes no responsibility for sponsorships which do not eventuate.
13. Exhibitors to give any information relative to their Exhibits that the Secretary may require. In all disputes the decision of the Committee must be final. Protest may be lodged with the Secretary within half an hour of the awards on the day of the Show, to be accompanied by a deposit of \$20, to be forfeited to the Society should the protest be considered frivolous or vexation.
14. All cattle to be paraded in the Grand Parade which will be led by the Aakland Group Challenge Trophy winner then in catalogue order.
15. **Admission to Show Ground:**
Adults: \$15.00
Under 15 years, \$2.00
Car Parking: Free
16. The Committee reserves the right to allot Specials in lieu of Prize Money mentioned in the Schedule. The Committee expect a few Special Prizes which they will allot as they may think advisable.
The Association has received several Trophies which accordingly will be allotted in the Catalogue.
17. No Steward shall act in any class in which they are an Exhibitor.
18. Where classes are sponsored with naming rights and Sponsorship total more than the normal A&P Prize money, then only the Sponsorship money will be paid out.
19. No animal or its attendant shall have any initial, crest or mark of ownership on its rug, harness, pail or any other fitting. This rule shall not apply to Trades classes. Prize Cards which have been awarded by the Judges must only be displayed after final judging, in such classes as the Exhibit may be entered for and then remain affixed to Exhibit during the Show, and no ribbon, prize, colours or tickets will be permitted on any Exhibit unless awarded during that section of the Show. Any infraction of the rule may incur disqualification and bar any further competition in that section of the Show. The Committee will be pleased to see Implements and Cars exhibited. Awards will be made where there may be enough competition. Due to possible restrictions on grounds space, the Committee reserves the right of admission to any or all vehicles, the Committee will make known by advertisement prior to Show Day what parking space is available in or adjacent to the Show Ground.
20. All refunds will be a maximum of 80% and any refund requests without a doctor's certificate or veterinary certificate will be at the discretion of the directors.
21. **Protests** - see rule 12 - Rules and Regulations
All protests must be in writing and may be entered before or after the Judges have proceeded to their duties.
22. If the protest is lodged before the Judges proceed to their duties, the onus of proof will rest with the Exhibitor, or after the onus of proof will be with the party protesting.
23. **Special Rules Regarding Side Shows** - It is now provided that all applicants for Side Show space shall be licensed.
24. **Right of Committee:** The Committee, or its Supervisor, reserves the right to refuse any Side Show or Selling Stand permission to enter the Show Grounds without giving any reason therefore.
25. Each applicant for space for Side Show purposes shall pay down the amount of the rent before the ground is allotted. When the ballot, if any, has been taken and space allotted the space shall be occupied by the applicant and he shall not shift on to any other space or leave his space to canvas for business in any part of the ground or suffer or permit any employee or partner or other person to do so on his behalf.

26. No ground or space shall be allotted to any applicant except for a bonafide Side Show or Stall. **“Side Show”** - shall mean any space which is enclosed from the public by any marquee, tent, canvas screen or other device, and to which a charge for admission is made to the public. The Committee reserves to itself or its representatives the right to refuse space to the proprietor or manager of any Side Show when the performance therein is considered undesirable or offensive to forfeit the rent paid, and order the Side Show to be closed if the foregoing provision is not complied with. **“Stall”** - shall mean any open stand on which goods are displayed for sale or games played for any prize other than money. Games played for money prizes are strictly prohibited and any stall holder found offending against this regulation shall be ejected from the Show grounds.
27. **Rent of Spaces:** Ground fees are to be paid in full before ballot for space.
28. **Allotment of Space for Side Shows:** In such portion of the grounds set aside by the Committee of the Association for Side Shows space may be allotted by ballot or in such a manner as the Society shall arrange. No proprietor will be allowed to participate until all ground fees be paid.
29. **Sub Letting of Space:** No sub letting of any space will be allowed under any circumstances.
30. **Performing Animals:** All dogs and performing animals must be kept tied up or in cages within the camping area. Horses, Mules, Donkeys or Cattle will not be allowed in the ring prior to the opening of the Show. No freak or malformed living animals will be permitted on the Show Ground.
31. No person is permitted in any Judging Ring without the express permission from the Head Steward of that ring. Only persons directly responsible for an Exhibit are permitted in the Marshalling Area.
32. Each Exhibitor must supervise and control their animals at all times and shall be liable for any hazards created or accident, illness or damage caused by the action of themselves or their animals at the showgrounds. Exhibitors must comply with the appropriate Animal Legislation and the Health and Safety in Employment Act 1992.
33. If insufficient entries some classes may be combined.

General Information for Exhibitors

Ribbons will be awarded as follows

1- 7 entries	1 st , 2 nd , 3 rd
8 and over	1 st , 2 nd , 3 rd , 4 th

Please note: Rule 9 - Rules and Regulations

The Committee reserves the right to combine suitable Classes where insufficient entries are received.

Ribbons and Tickets will be given for Champion and Reserve Champion as stated within each section

Entries Close 4 January 2021

Allocation of Points

Nine Entries or Less

First	10 points	Second	8 points
Third	6 points		

10 to 14 Entries

First	10 points	Second	8 points
Third	6 points	Fourth	4 point

Over 15 Entries

First	10 points	Second	8 points
Third	6 points	Fourth	4 point
Fifth	2 points		

Ties 1 win each

In the event of two exhibitors or more gaining equal points the exhibitor gaining the most first prizes will be declared the winner.

Champion - 2 extra points

Reserve Champion - 1 extra point

EQUESTRIAN SECTION

Chief Horse Marshals –
Dawn Kennedy & Barbara Wilson

Equestrian Rules and Regulations

To be read in conjunction with the general conditions of the Winton A&P Association as set out on Page 2 of this schedule and the rules and regulations as set out by the Royal Agriculture Society.

1. All horses and ponies to be ridden or exercised and lunged in designated areas.
2. Whips to be no longer than 76cm.
3. No exercising inside the rings prior to competition.
4. **Champion and Reserve Champion** will be selected as follows: First Prize winners in all eligible classes to be paraded before the Judge. Immediately the Champion has been selected the Second Placed animal from the class the Champion came from shall parade with the others for Reserve Champion.
5. Forbidden Substances: The use of tranquillisers, stimulants, or any drugs capable of affecting the performance of horses and ponies, donkeys and mules is forbidden.
6. Competitors are advised that tests for forbidden substances may be carried out during the Show and that testing of all animals is at the owner's risk. Testing for forbidden substances will be carried out under the Royal Agriculture Society Forbidden Substance Judiciary Committee (FSJC) procedures and rules (refer rule 89 RAS Equestrian Competitors and Judges Rule Book) **The payment of entry fee of the exhibitor on the entry form denotes acceptance of these conditions.**
7. Entire Horses or Ponies shall not be eligible to compete in any saddle or jumping classes except for FEI Competitions.
8. Height Certificates will be inspected.
9. All prize winners must enter Grand Parade or forfeit any prize money.
10. No lunging to be done outside of warm up area.
11. All Champion and Reserve Champion Saddle Hacks and Ponies **must** be **ridden** in the Grand Parade, unless a special dispensation is granted by the Chief Horse Marshall to take your Hack or Pony in hand, otherwise *all awards will be forfeited.*
12. **Local Horse/Pony** will be defined as: West Boundary, Otautau; East Boundary, Glencoe; North Boundary, Athol; South Boundary, Wilsons Crossing
13. It is compulsory for all stallions and colts, regardless of age to wear an identification badge "S" at all shows at all times including Miniatures.

14. This show supports the RAS yellow card system (as per resolution at 2009 annual conference), which will be submitted for any inappropriate behaviour towards show officials, judges, fellow competitors or any other third party connected with the show bringing the equestrian discipline into disrepute or cases which are of a less serious nature to the above in accordance with the conduct of members, owners, lessees, competitors and/or exhibitors as provided in the RAS equestrian competitors and judges rulebook and rule 13 of the RAS constitution.

NZ current safety standard approved helmets only will be allowed in all Equestrian Ridden/Jumping classes and must be tagged to be legal.

Information for Equestrian Exhibitors

Allocation of Points for Trophies (Equestrian)

Points are given according to place in class (eg 1st=4, 2nd=3, 3rd=2, 4th=1). Local Classes and Working Hunter Classes not eligible for points. Only one conformation and Paced & Mannered class is counted eg not both Novice and Open.

Entries are to be sent to

Winton A&P Association
PO Box 8016
Glengarry
INVERCARGILL 9845
Email: wintonapshow@gmail.com

No Day Measuring Available

Royal Agricultural Society of NZ Inc

Please note the following height changes applicable to show classing only.

Hacks	Ponies		
153cm	103cm	108cm	113cm
158cm	118cm	123cm	128cm
163cm	133cm	138cm	143cm
	148 cm		

Time Schedule for Equestrian Events

Events situated in middle of track

8.30am	Saddle Hunter Park Hack	Saddle Hack Riding Horse
9.00am	Miniature Horses	
9.00am	Saddle Pony	Hunter Pony
9.00am	Utility Horse/Pony	
9:00am	First Ridden	
10:30am	Lead Rein	
11:30am	Ridden Standardbred Ridden Pinto	
12.30pm	FEI Ring 1 & 2	
12.30pm	Pony Trot	
1.00pm	In Hand Sections	
1:00pm	Golden Oldies	
1.00pm	Round the Ring	

Events situated elsewhere

11.00am	Donkeys (Behind Grandstand)
2.15pm	Judging of Supreme Exhibit of Show (Front of Grandstand)
2.30pm	Grand Parade (Front of Grandstand)

2:30pm GRAND PARADE

Entries Close 4 January 2021

OVERNIGHT ACCOMMODATION

All horses and floats must be parked away from stabling area by 6:00am on day of show. All boxes and stables are to be booked at time of entry. Please note – all bedding and manure to be stacked outside of box after use. First in first served. \$10 per horse/pony per night.

ENTRY FEES & PRIZE MONEY IN INHAND & SADDLE CLASSES

Entry Fee: Members \$7.00, Non-Members \$11.00
 (Entry Fee includes \$1.15 RAS Levy that will be forwarded directly to the RAS)

Prize Money: First \$15, Second \$10, Third \$5
 Except where otherwise stated (*Sponsors donated items maybe awarded in place of prize money*)

Winton A&P Gow Memorial Trophy
 For Most Points in Equestrian Section from one Identity

Judges

Saddle Hacks: L Allen
 Riding Horse: T Carter
 Saddle Hunters: A Dickson-Smith
 Park Hacks: J Johnson
 Pony A: L Tait
 Pony B: TBA
 Saddle Hunter Pony: M Goodwin
 1st Ridden/Led Rein: A Butson
 Led Sport Horse: TBA
 Led Thoroughbred: TBA
 In Hand: TBA
 In Hand/ Ridden Standardbred: TBA
 Miniature Horses:
 FEI: TBA
 RTR: TBA
 Donkeys: K Farmer

SADDLE HUNTER

Judging to commence at 8.30am

- Not eligible for Saddle Hack or Park Hack Classes
- Competitors for Championships and Supremes must be available at time of Judging. Judges will not wait.
- Height Certificate will be inspected. Prizes will be forfeited if not produced.
- No Stallions
- Saddle Hunter eligible for Lady's Saddle Hunter **or** Gentleman's Saddle Hunter, **not both**
Harper Horse Coaches Trophy
 for most points in Saddle Hunter Section

- 1 - Best Presented
- 2- Novice Saddle Hunter, Mare or Gelding over 148cm - 0-5 wins at any A&P Show in Conformation Classes
Champion Novice Saddle Horse
 to be judged with Saddle Hunter, Saddle Horse, Riding Horse and Park Hack Classes 2, 13, 22 and 31 eligible
- 3 - Novice Paced and Mannered Saddle Hunter – 0-5 wins at any A&P Show in Paced and Mannered Classes
- 4 - Open Saddle Hunter over 148cm and up to 163cm
- 5 - Open Saddle Hunter over 163cm
- 6- Lady Saddle Hunter to be ridden by a Lady or Gentleman (*not eligible for class 7*)
- 7- Gentleman Saddle Hunter to be ridden by a Lady or Gentleman (*not eligible for class 6*)
Champion and Reserve Champion Saddle Hunter
 Classes 4, 5, 6 & 7 eligible
Firegleam Trophy – Champion Saddle Hunter
- 8 - Open Saddle Hunter Paced and Mannered
- 9 - Best Rider In this section
- 10 - Novice Working Hunter 0-5 wins to be judged over jumps. – Not eligible for Novice Championship –

- 11 - Working Saddle Hunter to be judged over jumps.
Champion and Reserve Champion Working Saddle Hunter
Classes 10 & 11 eligible

SADDLE HACK

Judging to commence 8.30am

- No hack to be entered in Pony Classes and vice-versa.
- Not eligible for Hunter or Riding Horse Classes.
- Height Certificate will be inspected. Prizes will be forfeited if not produced.
- No Stallions.
- Competitors for Championships and Supremes must be available at time of Judging. Judges will not wait.
- Saddle Hack eligible for Lady's Hack **or** Gentleman's Hack, **not both**

Winton A&P Association Cup

for most points in Saddle Hack Section

- 12 - Best Presented
- 13 - Novice Saddle Hack, Mare or Gelding over 158cm - 0-5 wins at any A&P Show in Conformation Classes
Champion Novice Saddle Horse
to be judged with Saddle Hunter, Saddle Horse, Riding Horse and Park Hack Classes 2, 13, 22 and 31 eligible
- 14 - Novice Paced and Mannered Saddle Hack 0-5 wins at any A&P Show in Paced and Mannered Classes
- 15 - Saddle Hack over 158 cm and up to 163cm
- 16 - Saddle Hack over 163cm
- 17 - Gentleman Saddle Hack – to be ridden by a Gentleman or a Lady (*not eligible for class 18*)
- 18 - Lady Saddle Hack – to be ridden by a Lady or Gentleman (*not eligible for class 17*)

Champion and Reserve Champion Saddle Hack

Classes 15, 16, 17 and 18 eligible

- 19 - Best Paced and Mannered Saddle Hack
- 20 - Best Rider in the Section

RIDING HORSE

Judging to commence 8.30am

- No hack to be entered in Pony Classes and vice-versa.
- Not eligible for Hunter or Saddle Classes..
- Height Certificate will be inspected. Prizes will be forfeited if not produced.
- No Stallions.
- Competitors for Championships and Supremes must be available at time of Judging. Judges will not wait.
- Saddle Hack eligible for Lady's Hack **or** Gentleman's Hack, **not both**

- 21 - Best Presented

- 22 - Novice Riding Horse, Mare or Gelding over 148cm - 0-5 wins at any A&P Show in Conformation Classes
Champion Novice Saddle Horse
to be judged with Saddle Hunter, Saddle Horse, Riding Horse and Park Hack Classes 2, 13, 22 and 31 eligible
- 23 - Novice Paced and Mannered Riding Horse 0-5 wins at any A&P Show in Paced and Mannered Classes
- 24 - Open Riding Horse over 148cm and up to 163cm
- 25 - Open Riding Horse over 163cm
- 26 - Gentleman Riding Horse – to be ridden by a Gentleman or a Lady (*not eligible for class 27*)
- 27 - Lady Riding Horse – to be ridden by a Lady or Gentleman (*not eligible for class 26*)

Champion and Reserve Champion Saddle Hack

Classes 24, 25, 26 & 27 eligible

- 28 - Best Paced and Mannered Riding Horse
- 29 - Best Rider in the Section

PARK HACK

Judging to commence 8.30am

- Not eligible for Hunter or Riding Horse Classes.
- Height Certificate will be inspected. Prizes will be forfeited if not produced.
- No Stallions.
- Competitors for Championships and Supremes must be available at time of Judging. Judges will not wait.

M McKay Cup

most points Park Hack Section

- 30 - Best Presented
- 31 - Novice Park Hack, Mare or Gelding over 148cm and up to 158cm 0-5 wins at any A&P Show in Conformation Classes
Champion Novice Saddle Horse
to be judged with Saddle Hunter, Saddle Horse, Riding Horse and Park Hack Classes 2, 13, 22 and 31 eligible
- 32 - Novice Paced and Mannered Park Hack 0-5 wins at any A&P Show in Paced and Mannered Classes
- 33 - Open Park Hack over 148cm and up to 153cm
- 34 - Open Park Hack over 153cm and up to 158cm
- 35 - Lady's Park Hack over 148cm and up to 158cm to be ridden by a Lady or Gentleman (*not eligible for class 36*)
- 36 - Gentleman's Park Hack over 148cm and up to 158cm to be ridden by a Lady or Gentleman (*not eligible for class 35*)

Champion and Reserve Champion Park Hack

Classes 33, 34, 35 & 36 eligible

- 37 - Best Paced and Mannered Park Hack over 148cm and up to 158cm
- 38 - Best Rider in the Section

LIVAMOL RIDDEN THOROUGHBRED

Judging to commence after Saddle Horse Championships

Open to any branded thoroughbred horse. To be eligible for the RAS – Livamol Ridden Thoroughbred Show Horse Series 2020-2021 you must register your horse with RAS Head Office enquires@ras.org.nz
Judging 80% conformation, 20% paces and manners. You will be asked to remove your saddle for judging.

39 - Ridden Thoroughbred Show Horse, over 148cm

SADDLE HORSE CHAMPIONSHIPS

Champion Novice Saddle Horse

to be judged at the completion of the Novice Classes in Saddle Hunter, Saddle Horse, Riding Horse and Park Hack – Classes 2, 13, 22 and 31 eligible

Champion Paced and Mannered Saddle Horse

to be judged at the completion of Saddle Hunter, Saddle Hack, Riding Horse and Park Hack Sections - Classes 3, 8, 14, 19, 23, 28, 32 and 37 eligible

SUPREME CHAMPION SADDLE HORSE

Champion Saddle Hunter, Riding Horse, Saddle Hack and Park Hack Eligible (approx. 11am)

Tom White Perpetual Trophy

Best Registered Thoroughbred In Hand or Under Saddle - to be shown in hand
(To be judged after Livamol Ridden Thoroughbred)

PGG WRIGHTSONS

Grand Champion Horse and Pony Accumulator
The Grand Champion Horse Award will be decided on points from exhibits gaining Champion, Reserve Champion & Supreme Champion from West Otago, Wyndham, Waiau, Winton, Gore and Southland Shows in Saddle Horse, Riding Horse, Park Hack, Saddle Hunter Sections. To be eligible to receive this award, the horse must compete at the 2021 Southland A & P Show.

The Grand Champion Pony Award will be decided on points from exhibits gaining Champion, Reserve Champion & Supreme Champion from West Otago, Wyndham, Waiau, Winton, Gore and Southland Shows in Saddle Hunter Pony, Pony Section A, B and C. To be eligible to receive this award, the pony must compete at the 2021 Southland A & P Show.

The horse and pony with the highest aggregate of points as allocated below to receive a Grand Champion rug sponsored by PGG WRIGHTSON.

Points Allocation: Champion 2 points, Reserve Champion 1 point. Supreme Champion 1 additional point.

In the event of a tie, the following count back system will apply: most Supreme Champions. If still equal then

the Supreme Champion at Southland A & P Show shall be declared the winner.

SADDLE PONIES

Judging to commence 9:00am

- Height Certificate will be inspected. Prizes will be forfeited if not produced.
- Riders to be under 17 years as from 1 August 2020
- Novice Classes open to any age rider – incl Adults.
- No Stallions
- Competitors for Championships and Supremes must be available at time of Judging. Judges will not wait.
- Section D & E not eligible for Supreme Champion Judging

Section A

Ponies over 138cm up to 148cm

Section B

Ponies up to 138cm

Saddle Hunter Pony

Ponies up to 148cm

Section D - First Ridden Pony

Ponies to be 138cm and under

Riders to be age 4 and under 10 years as from 1 August 2020

Section E – Lead Rein Pony

Ponies to be 128cm and under

Riders to be age 4 to 7 years as from 1 August 2020

Tippett Silver Tray

Supreme Champion Saddle Pony

SECTION A - Ponies over 138cm & up to 148cm

- 40 - Best Presented
- 41 - Novice Section A Pony - 0-5 wins at an A&P Show in Conformation Classes
- 42 - Novice Paced and Mannered Section A Pony 0-5 wins at any A&P Show in Paced and Mannered Classes

Champion Novice Saddle Pony

to be judged with Novice Pony A & B & Hunter Pony – Classes 41, 48 & 56 eligible

43 - Pony over 143cm and up to 148cm

44 - Pony over 138cm and up to 143cm

Champion and Reserve Champion Pony - Section A Classes 43 & 44 eligible

45 - Best Paced and Mannered Section A Pony

46 - Best Rider in this Section

SECTION B - Ponies up to 138cm

- 47 - Best Presented
- 48 - Novice Pony up to 138cm 0-5 wins at any A&P Show in Conformation Classes
- 49 - Novice Paced and Mannered Pony up to 138cm, 0-5 wins at any A&P Show in Paced and Mannered Classes

Champion Novice Saddle Pony

to be judged with Novice Pony A & B & Hunter Pony – Classes 41, 48 and 56 eligible

50 - Pony up to 128cm

51 - Pony over 133cm and up to 138cm

52 - Pony over 128cm and up to 133cm

Champion and Reserve Champion Pony – Section B

- Classes 50, 51 & 52 eligible
53 - Best Paced and Mannered Pony
54- Best Rider in this Section

SADDLE PONY HUNTER UP TO 148CM

Judging to commence 9:00am

- 55 - Best Presented
56 - Novice Saddle Pony Hunter Pony- 0-5 wins at an A&P Show in Conformation Classes
57 - Novice Paced and Mannered Saddle Pony Hunter 0-5 wins at any A&P Show in Paced and Mannered Classes

Champion Novice Saddle Pony

to be judged with Novice Pony A & B & Hunter Pony – Classes 41, 48 & 56 eligible

- 58 - Open Saddle Pony Hunter up to 138cm
59- Open Saddle Hunter Pony 138cm-148cm

Champion and Reserve Champion Saddle Pony Hunter

Classes 58 & 59 eligible

- 60- Best Paced and Mannered Saddle Pony Hunter
61 - Best Rider in this Section

SADDLE PONY CHAMPIONSHIPS

Champion Novice Saddle Pony

to be judged with Novice Pony A & B & Hunter Pony – Classes 41, 48 & 56 eligible

Champion Paced and Mannered Saddle Pony

To be judged at the completion of the Saddle Pony Sections – Classes 42, 45, 49, 53, 57 & 60 eligible

SUPREME CHAMPION SADDLE PONY

Champion Section A & B & Hunter Pony Eligible

Best Child Saddle Pony Rider

To be judged after Supreme Champion Saddle Pony

PGG WRIGHTSONS

Grand Champion Horse and Pony Accumulator
The Grand Champion Horse Award will be decided on points from exhibits gaining Champion, Reserve Champion & Supreme Champion from West Otago, Wyndham, Waiau, Winton, Gore and Southland Shows in Saddle Horse, Riding Horse, Park Hack, Saddle Hunter Sections. To be eligible to receive this award, the horse must compete at the 2021 Southland A & P Show.

The Grand Champion Pony Award will be decided on points from exhibits gaining Champion, Reserve Champion & Supreme Champion from West Otago, Wyndham, Waiau, Winton, Gore and Southland Shows in Saddle Hunter Pony, Pony Section A, B and C. To be eligible to receive this award, the pony must compete at the 2021 Southland A & P Show.

The horse and pony with the highest aggregate of points as allocated below to receive a Grand Champion rug sponsored by PGG WRIGHTSON.

Points Allocation: Champion 2 points, Reserve Champion 1 point. Supreme Champion 1 additional point.

In the event of a tie, the following count back system will apply: most Supreme Champions. If still equal then the Supreme Champion at Southland A & P Show shall be declared the winner.

SPECIAL CLASSES

Judging to commence at completion Saddle Pony Section

62- Pony Registered with NZ Riding Pony Society

Sash presented by NZ Riding Pony Society. Registration numbers to be supplied at time of entry and identification card to be carried on day of show. All registered NZ Riding Ponies Eligible including registered ponies competing in Saddle Ponies, Utility Ponies and First Ridden Ponies..

63 - The Pony Breeders' Society Ridden Sash

To be eligible for this class ponies must be fully registered with the society, be 148cm or under and have been foaled in New Zealand. Registration number must be supplied at time of entry and identification card to be carried on day of Show. All registered Pony Breeders' Pony Eligible including registered ponies competing in Saddle Ponies, Utility Ponies and First Ridden Ponies.

If it is subsequently found that the winner of a Pony Breeders Society Sash is not registered with the Society or is an imported Pony they will be required to forfeit this award.

UTILITY HORSE AND PONY SECTION

Judging to commence at 9:00am

For Hacks and Ponies not entered in any other ridden section.

- Sweatshirt/jersey, collar, tie and helmet must be worn. (Pony Club Uniform acceptable, no Jackets)
- Ponies and hacks must not be plaited.
- Classes 65, 70 & 75 will be required to complete in a designated workout with an obstacle.
- All competitors under the age of 21 to stipulate age as at 1 August 2020
- Snaffle Bits only
- Local Utility Hack or Pony Class place getters not eligible for championship.
- If insufficient entries sections may be combined

GROUP A - Riders 14 to 21 years of age as at 1 August 2020

- 64 - Best Presented Utility Pony or Hack and Rider
65 - Best Utility Hack or Pony
66 - Best Paced and Mannered Utility Hack or Pony

Champion and Reserve Champion Utility Hack or Pony Group A – Ribbon

to be judged from Class 65 & 66

- 67- Best Rider
68- Local Utility Hack or Pony Class
See Equestrian Rule 14

GROUP B - Riders 11 to 13 years of age as at 1 August 2020

- 69 - Best Presented Utility Pony or Hack and Rider
70- Best Utility Hack or Pony

- 71- Best Paced and Mannered Utility Hack or Pony

Champion and Reserve Champion Utility Hack or Pony Group B – Ribbon
to be judged from Class 70 & 71

- 72 - Best Rider
73 - Local Utility Hack or Pony Class
See Equestrian Rule 14

GROUP C - Riders 10 years and under as at 1 August 2020

- 74 - Best Presented Utility Pony and Rider
75 - Best Utility Pony
76 - Best Paced and Mannered Utility Pony

Champion and Reserve Champion Utility Pony Group C – Ribbon
to be judged from Class 75 & 76

- 77 - Best Rider
78 - Local Utility Hack or Pony Class
See Equestrian Rule 14

SUPREME CHAMPION UTILITY HORSE OR PONY

Champion Group A, B, & C Eligible

**SECTION D
First Ridden Pony**

Judging to commence at 9:00am

- Riders are only eligible to compete in the First Ridden Section for the maximum of 24 months from the date of their first show in the First Ridden Section.
- The same combination may not enter in both the Leading Rein Section and the First Ridden Section, but the *same pony* may be entered in both with a different rider in the First Ridden Section.
- The same combination may not enter in any of the Saddle Pony Sections.
- Riders to be 4 to under 11 years old as at 1 August 2020.
- All ponies in this section to be 138cm and under Walk and Trot only, canter is optional.

- 79 - Best Presented Pony, Rider and Gear
80 - Best Conformation Pony up to 138cm
81 - Best First Ridden Pony up to 138cm
82 - Local First Ridden Pony up to 138cm
See Equestrian Rule 14
83 - Best Paced and Mannered
84 - Best Rider

Champion & Reserve Champion First Ridden Pony
Classes 80 and 81 eligible

**SECTION E
Lead Rein Pony**

Judging to commence at 10:30am
offer each child rider a 'show bag' to all exhibits who present themselves in class 85

- The same combination may not enter in both the Leading Rein Section and the First Ridden Section, but the *same pony* may be entered in both with a different rider in the Leading Rein Section.
- The same combination may not enter in any of the Saddle Pony Sections.
- All Ponies to be on the Lead Rein. Lead Rein to be attached to noseband.
- Riders to be 4 – 7 years old as at 1 August 2020.
- All Ponies in this Section to be 128cm and under.
- To be shown in snaffle bit.

- 85 - Best Presented Pony, Rider & Gear.
86 - Best Child's Learner Pony. To be judged on the suitability as a Child's Pony. Not eligible for Class 87.
87 - Ridden Pony on Lead Rein. To be judged on 60% suitability as a lead rein pony and 40% correctness of conformation. Not eligible for Class 86.
88 - Best Mannered Lead Rein Pony
89 - Best Rider 6 and 7 years of age as at 1 August 2020.
90 - Best Rider 4 and 5 years as at 1 August 2020.
91 - Local Lead Rein Pony
See Equestrian Rule 14

RIDDEN STANDARDBRED

Judging to commence at 11:30am

- 92- Best Presented
93 - Novice Standardbred under saddle, Mare or Gelding 0-5 wins at any A&P Show
94 - Open Standardbred under saddle
95 - Best Paced and Mannered Standardbred under saddle
96 - Best Rider

Champion and Reserve Champion Standardbred
Classes 93 and 94 eligible

RIDDEN PINTO

Judging to commence at 11:30am

- 97- Best Presented
98 - Novice Pinto under saddle, Mare or Gelding 0-5 wins at any A&P Show
99 - Open Pinto under saddle
100 - Best Paced and Mannered Pinto under saddle
101 - Best Rider

Champion and Reserve Champion Pinto

PONY TROT

Horatio Memorial Trophy for Champion Pony Trot

To be held at 12.30pm

- 102 - Pony Trot, open to all ponies up to 148cm to be ridden by boys or girls under 17 years

IN HAND SECTION

Judging to commence at 1.00pm

- Horses/Ponies are only eligible to enter in one in hand section on day of show
- Not eligible for Miniature Horse Section

ARABS

- 103 - Best Presented Arab and Handler
104 - Purebred Arab, 3 years and over
105 - Part Bred any age, 3 years and over
106 - Purebred/Part Bred Arab Colt, Gelding or Filly under 3 years

Champion and Reserve Champion Arab

WELSH

Kindly sponsored by Southland Welsh Pony & Cob Club Inc

- Purebred and Part Bred 12.5% or more
- Registered Dry Mares and Geldings entered in Driven and Ridden Classes and shown in hand classes on the day *may* be plaited.
- Young stock, regardless of the sections *must not* be plaited.
- Please specify A, B, C or D type

Hampton Park Trophy Most Points Welsh Section

- 107 - Best Presented Welsh and Handler
108 - Stallion, 3 years and over
109 - Dry Mare, 3 years and over
110 - Brood Mare with foal at foot
111 - Gelding, 3 years and over
112 - Yearling or Two years, Colt, Filly or Gelding

Champion and Reserve Champion Welsh

IN HAND PONIES

(Height Certificates are required)

- 113 - Best Presented In Hand Pony and Handler
114 - Pony Stallion up to 148cm, 3 years and over, to be led
115 - Pony Mare up to 148cm with foal at foot
116 - Pony Mare 4 years and over up to 148cm
117 - Pony Gelding 4 years and over up to 148cm

Champion & Reserve Champion Adult In Hand Pony

Classes 114, 115, 116 and 117 eligible

- 118 - Three year old Colt, Gelding or Filly up to 148cm
119 - Two year old Colt, Gelding or Filly up to 146cm
120 - Yearling Colt, Gelding or Filly up to 140cm

Champion & Reserve Champion In Hand Youngstock Pony

Classes 118, 119 and 120 eligible

- 121 - *The Pony Breeders Youngstock Class* – Ponies 3 years and under who are expected to mature 148cm and under and to be fully registered with the Pony Breeders of New Zealand Society. Open to foals, yearlings, two year olds and three year olds.

GYPSY COBS

All Purebred and Partbred Gypsy Cobs must be correctly registered with the NZ Gypsy Cob Association.

Classes may be combined if insufficient entries

- 122 - Best Presented Gypsy Cob and Handler
123 - Purebred or Partbred Adult 4 years and over
124 - Purebred or Partbred Young stock, 3 years and under
125 - Best Mannered Gypsy Cob
126 - Best Paced Gypsy Cob
(Classes 125 & 126 may be combined if insufficient entries)

Champion and Reserve Champion Gypsy Cob

CLYDESDALES

- 127 - Best Presented Clydesdale Horse and Handler
128 - 3 years and over
129 - Yearling or Two years, Colt, Filly or Gelding
130 - Best Walking Horse
131 - Sledge Driving Class

Champion and Reserve Champion Clydesdale Horse

NZ SPORT HORSE

- 137 - Best Presented Sport Horse and Handler
138 - Mare, 4 years and over
139 - Gelding, 4 years and over
140 - Three year old Colt, Gelding or Filly
141 - Two year old Colt, Gelding or Filly
142 - Yearling Colt, Gelding or Filly
143 - Broodmare suitable for breeding Sport Horses, must have foal at foot
144 - Entire, 4 years and over

Champion and Reserve Champion NZ Sport Horse

THOROUGHbred

- All Thoroughbreds to be branded
- 145 - Best Presented Thoroughbred and Handler
146 - Dry Mare, 4 years and over
147 - Gelding, 4 years and over
148 - Three year old Colt, Gelding or Filly
149 - Two year old Colt, Gelding or Filly
150 - Yearling Colt, Gelding or Filly
151 - Brood Mare, must have foal at foot
152 - Entire, 4 years and over

Champion and Reserve Champion Thoroughbred

STANDARD BRED

- 153 - Best Presented Horse and Handler
154 - 3 years and under Colt, Gelding or Filly

- 155 - Mare 4 years and over
156- Gelding 4 years and over
157 - Broodmare suitable for breeding
Standardbreds, must have foal at foot

Champion and Reserve Champion Standardbred
Classes 154, 155 and 156 eligible

PINTO

- 158 - Best Presented Horse and Handler
159 - Mare 3 years and over
160 - Gelding 3 years and over
161- Broodmare suitable for breeding must have
foal at foot
162 - 2 year old & under Colt, Gelding or Filly

Champion and Reserve Champion Pinto

JUMPING COMPETITIONS

ALL JUMPING RINGS WILL STOP FOR THE GRAND
PARADE

ROUND THE RING –
Commencing at 1.00pm

- Any person not returning back numbers on Show Day will be fined \$10.
- **Late entries may be taken with double entry fee, late entries to jump last in class. Definitely no entries accepted after 11.30am on the day**
- Three refusals - elimination.
- In ring 2 FEI if large number of entries that classes 185 and 186 90cm pony and hack maybe transferred to ring 1

Ring 1 – Will run in order as listed

165 - Novice Pony RTR

0-5 Wins at any A&P RTR. Approx 80cm.
Eligible for Novice Pony, Ring 3 but not eligible for Open Pony RTR.
Entry Fee: Members \$7, Non Mem \$11
Prize Money: First \$40, Second \$30, Third \$20, Fourth \$10

166 - Novice Horse RTR

0-2 Wins at any A&P RTR. Approx 80cm
Not eligible for Open RTR.
Entry Fee: Members \$7, Non Members \$11
Prize Money: First \$50, Second \$40, Third \$30, Fourth \$20, Fifth \$10

167 - Beginner Pony RTR

for riders 13 years and under on date of show.
Approx 50cm.
Entry Fee: Members \$4, Non Members \$7
Prize Money: First \$10, Second \$7, Third \$5

168 – Novice Pony RTR

0-2 Wins at any A&P RTR. Approx 60cm.
Entry Fee: Members \$7, Non Members \$11
Prize Money: First \$30, Second \$20, Third \$10, Forth \$5

169- Novice Horse RTR

0-5 Wins at any A&P RTR. Approx 1m
Not eligible for Open RTR.
Entry Fee: Members \$11, Non Mem \$15
Prize Money: First \$50, Second \$40, Third \$30, Fourth \$20

170 - Open Pony RTR

Not eligible for Novice RTR. Approx 1m.
Entry Fee: Members \$11, Non Mem \$15
Prize Money: First \$90, Second \$55, Third \$30, Fourth \$10

171 - Open Horse RTR

Approx 1.05m. Not eligible for Novice RTR.
Entry Fee: Members \$14, Non Mem \$18
Prize Money: First \$120 + Rug Voucher, Second \$80, Third \$50, Fourth \$20

FEI – Commencing at 12.30pm

A MAXIMUM OF TWO STARTS PER HORSE/PONY

Ring 1 – Will run in order as listed : (All classes instant jump off except Class 148 & 149)

- All competitions will be run under ESNZ rules
- In Open Classes all riders must have full rider membership with ESNZ. Proof is required.
- Horses and ponies competing in open classes must have current registration with ESNZ and annual SJ start.

172 - Pony FEI 1.00m TA5

Entry Fee: Members \$11, Non-Mem \$15
Prize Money: First \$40, Second \$25, Third \$15, Fourth \$10

173 - Horse 1.00m TA5

Entry Fee: Members \$11, Non Mem \$15
Prize Money: First \$75, Second \$50, Third \$40, Fourth \$30

174 - Pony FEI 1.10m TA5

Entry Fee: Members \$11, Non Mem \$15
Prize Money: First \$70, Second \$50, Third \$30

175 - JB Hamilton Memorial Trophy Horse FEI 1.10m TA5

Entry Fee: Members \$14, Non Mem \$18
Prize Money: First \$80 plus rug, Second \$50, Third \$30, Fourth \$20

ILT MLT 1.10 Horse

This class is open to all horses but only those that haven't competed in a 1.25m class are eligible for points.
The first eligible points place getter to receive an extra \$80 –this will be paid via cheque from the Southland A&P Association.
Series final at Southland A&P Show- winner 1st \$200, 2nd \$150, 3rd \$50 plus ribbons to 5th.

176 - Horse FEI 1.20m TA5 - DS Duff Memorial Trophy

Entry Fee: Members \$16, Non Mem \$20
Prize Money: First \$100, Second \$80, Third \$50, Fourth \$20

177 - Horse FEI 1.30m TA5

Entry Fee: Members \$18, Non Mem \$22
Prize Money: First \$100, Second \$80, Third \$60
(if insufficient entries will not be held)

RING 2 – Will run in order as listed:

- Training classes. Instant jump off.

179 - Beginner Pony FEI 50cm TA5

for riders 13 years and under on date of show.
Entry Fee: Members \$4, Non Members \$7
Prize Money: First \$10, Second \$7, Third \$5

180- Beginner Pony FEI 60cm TA5

for riders 13 years and under on date of show.
Entry Fee: Members \$4, Non Members \$7
Prize Money: First \$10, Second \$7, Third \$5

181 - Pony FEI 70cm TA5

Entry Fee: Members \$7, Non Members \$11
Prize Money: First \$20, Second \$15, Third \$10,
Fourth \$5

182 - Horse FEI 70cm TA5

Entry Fee: Members \$7, Non-Mem \$11
Prize Money: First \$20, Second \$15, Third \$10,
Fourth \$5

183 - Pony FEI 80cm TA5

Entry Fee: Members \$7, Non-Members \$11
Prize Money: First \$20, Second \$15, Third \$10,
Fourth \$5

184 - Horse FEI 80cm TA5

Entry Fee: Members \$7, Non Members \$11
Prize Money: First \$40 plus product, Second
\$20, Third \$10

185 - Pony FEI 90cm TA5

Entry Fee: Members \$7, Non-Members \$11
Prize Money: First \$30, Second \$20, Third \$15

Farmlands McMillan Feeds Points

Open Horse 90 cm

Open to all horses but only those that haven't competed
in a 1.10m class are eligible for points.
Series final at Southland A&P Show

186 - Horse FEI 90cm TA5

Entry Fee: Members \$7, Non-Members \$11
Prize Money: First \$40, Second \$30, Third \$20,
Fourth \$10

GOLDEN OLDIES

Judging to commence at 1:00pm in Utility Ring

188 - Horse or Pony, 20 years old and over

MINIATURE HORSES

Horses must be registered with bodies affiliated to the RAS. Registration number and Association must be stated on entry form.

This section will run in accordance with NZMHA show rules.

Judging to commence at 9.00am

- Exhibitors must hold a current height certificate.
- Breed sizes to be divided into two groups
- *Category A:* up to 34 inches high
- *Category B:* over 34 inches & up to 38 inches high

HALTER CLASSES

Category A

- 200 - Best Presented Horse and Handler
- 201 - Yearling, Colt or Filly or Gelding
- 202 - 2 year old Colt, Filly or Gelding
- 203 - Mare, 3 years and over
- 204 - Stallion, 3 years and over
- 206 - Gelding, 3 years and over

Champion & Reserve Champion Category A

Category B

- 207 - Best Presented Horse and Handler
- 208 - Yearling, Colt or Filly or Gelding
- 209 - 2 year old Colt, Filly or Gelding
- 210 - Mare, 3 years and over
- 211 - Stallion, 3 and over
- 213 - Gelding, 3 years and over

Champion & Reserve Champion Category B
**SUPREME CHAMPION MINIATURE
HORSE**

**COLOUR CLASSES/ HEAD & MOVEMENT
CLASSES – Category A**

- 214 - Multi Colour Horse
- 215 - Solid Colour Horse
- 216 - Most Attractive Head
- 217 - Best Movement

**COLOUR CLASSES/ HEAD & MOVEMENT
CLASSES – Category B**

- 218- Multi Colour Horse
- 219- Solid Colour Horse
- 220 - Most Attractive Head
- 221 - Best Movement

- If insufficient entries Category A & B may be combined

HARNESSES

- Horses competing in these classes are not eligible for Non-Hackney Classes
- If there are sufficient entries, Category A & B will be separated

- 225 - Best Presented Horse, Harness, Vehicle & Driver
226 - Single Pleasure Driving - Novice
227 - Single Pleasure Driving - Open
228 - Best Paced and Mannered

Champion and Reserve Champion Harness Miniature Horse

DONKEYS and MULES

It is compulsory for all jacks, except foals to wear two official "S" badges attached to either side of the bridle or halter and the handler to wear two armbands with an "S" on each. In the case of Miniature Donkey Jacks 86cm and under, they must either be shown in a bit or a halter with a stallion chain. If utilizing the option of a halter and a stallion chain, then the donkey's original RAS height certificate must be carried at the time of showing, to show proof of height.

Prize Money: First \$10, Second \$8, Third \$5

Judging to commence at 11:00am

Tatham Memorial Trophy
Best Gelding - Donkey Section

Blanch McKelvey Memorial Trophy
Donkey Gaining Most Points

- 229 - Best Presented Donkey – judged 50% donkey, 25% gear & 25% handler
230 - Jack, Jenny or Gelding 2 years and under
231 - Jenny, 3 years and over
232 - Gelding, 3 years and over
233 - Jack, 3 years and over
234 - Jenny most suitable for breeding
235- Donkey to be shown by Child handler (16yrs and under)

Champion and Reserve Champion Donkey

- 236 – Best Presented Mule
237 – Mule 2 years and under
238 – Mule 3 years and over
239- Best Ridden Donkey/Mule

Champion and Reserve Champion Mule

- 240 – Best Paced & Mannered Donkey
241 – Bending Race
242 – Donkey Pattern
243- Donkey Challenge

BEEF AND DAIRY CATTLE

Beef and Dairy Cattle Rules and Regulations

To be read in conjunction with the general conditions of the Winton A&P Association as set out on Page 2 of this schedule and the rules and regulations as set out by the Royal Agriculture Society.

1. All placegetters must enter the Grand Parade or forfeit any prize received.
2. **Please Note:** All Beef and Dairy Cattle shown by any exhibitor must be registered at the time of the Show in his or her name in each particular Herd Book or be eligible for registration.
3. **All Dairy Bulls** over one year must be led by stick.
4. **All Beef Cattle** over one year must be led with a nose clip or ring.
5. **All Cattle** to be paraded in the Grand Parade which will be led by the Alliance Group Challenge Trophy winner then catalogue order.
6. All Cattle to be NAIT tagged
7. If insufficient numbers some classes maybe combined.

The following criteria will apply in both the Beef and Dairy Cattle Sections.

All pedigree cattle one year old and over must be entered in a recognised HERD BOOK. Proof of dual ownership is required.

Tuberculosis Testing - two documents required

a) *The Herd declaration card; All cattle entered for showing, which are three months of age and over must be accompanied in transit by the usual signed and dated TB Declaration Card showing either TB free or C2 Herd status or better in accordance with present law. Transit cards must be produced before cattle trucks are allowed onto the showgrounds to unload stock. Failure to do so will result in stock not being allowed on the showgrounds.*

TAG Exemption - exhibitors requiring exemption from tagging must apply to the nearest AgriQuality office to obtain written exemption.

b) **TB Test Certificate Accreditation - TB Movement Controlled Areas:** Cattle three months of age and over which are farmed or grazed within a declared TB movement area must be negative to a TB test within 60 days prior to the start date of the Show. **All Other Areas:** Cattle farmed or grazed outside of the declared TB movement controlled area must be negative to a TB test within 12 months prior to the start date of the Show. A clear TB test certificate showing individual animal identification numbers must accompany completed entry forms when returned to the Secretary.

Entries Close – 4 January 2021

DAIRY SECTION

Judging to commence at 8:45am

Chief Marshall: Mr M Livingstone

ENTRY FEES & PRIZE MONEY

Entry Fee: Members \$6.00, Non Members \$10.00
Prize Money: First \$10, Second \$8, Third \$5
Except where otherwise stated
(Sponsors donated items maybe awarded in place of prize money)

Winton A&P McKay Memorial Cup
Champion All Breeds Female

Southland Dairy Co-Op Ltd Trophy
All Breeds Yearling Heifer

JC Olive Cup
Most Points in Cattle

Alexander Gerrard Memorial Trophy
Dairy Calves

Robert McIntosh Memorial Trophy
All Breeds Champion Heifer Calf

ALL BREEDS

Prize Money: First \$20, Second \$15, Third \$10,
249- All Breeds Female 6 years & over in milk
250 - All Breeds Female 4 & 5 years, in milk
251 - All Breeds Female Three years, in milk
252 - All Breeds Heifer Two year old, in milk

Champion and Reserve Champion in Milk

253 - All Breeds Yearling Heifer

Champion and Reserve Champion Yearling Heifer

254 - All Breeds Heifer Calf born since 1 June 2016

Champion and Reserve Champion Heifer Calf

All Sections

Senior Champion and Reserve Champion Cow
Senior Champion and Reserve Champion Bull

Junior Champion and Reserve Champion Heifer
Junior Champion and Reserve Champion Bull

AYRSHIRE

255 - Cow in Milk or Cow visibly in calf, 6 yrs & over
256 - Cow in Milk or Cow visibly in calf, 4 & 5 years
257 - Heifer, 3 years, in milk or visibly in calf
258 - Heifer, 2 years, in milk or visibly in calf
259 - Best Uddered Cow or Heifer any age

261 - Best Female 2 years or over, bred by exhibitors
263 - Junior Yearling Heifer, born between 1 June and 14 September
264 - Junior Yearling Heifer Born since 15 September
265 - Best two Yearling Heifers
266 - Heifer Calf born since 1 June
267 - Bull, born since 1 June
268 - Bull Calf, born since 1 June
269 - Junior Breeding Group – to be made up of 2 yearling heifers & 1 heifer calf or 2 heifer calves & 1 yearling heifer

SUPREME CHAMPION AYRSHIRE

JERSEY

270 - Cow in Milk or Cow visibly in calf, 6 yrs & over
271 - Cow in Milk or Cow visibly in calf, 4 & 5 years
272 - Heifer, 3 years, in milk or visibly in calf
273 - Heifer, 2 years in milk or visibly in calf
274 - Best Uddered Cow or Heifer any age
276 - Best Female 2 years or over, bred by exhibitors
278 - Junior Yearling Heifer, born between 1 June and 14 September
279 - Junior Yearling Heifer Born since 15 September
280 - Best two Yearling Heifers
281 - Heifer Calf born since 1 June
282 - Bull, born since 1 June
283 - Bull Calf, born since 1 June
284 - Junior Breeding Group – to be made up of 2 yearling heifers & 1 heifer calf or 2 heifer calves & 1 yearling heifer

SUPREME CHAMPION JERSEY

HOLSTEIN FRIESIAN

Winton A&P Association Cup
Champion Female Friesian

285 - Cow in Milk or Cow visibly in calf, 6 yrs & over
286 - Cow in Milk or Cow visibly in calf, 4 & 5 years
287 - Heifer, 3 years, in milk or visibly in calf
288 - Heifer, 2 years, in milk or visibly in calf
289 - Best Uddered Cow or Heifer any age
291 - Best Female 2 years or over, bred by exhibitors
293 - Junior Yearling Heifer, born between 1 June and 14 September
294 - Junior Yearling Heifer Born since 15 September
295 - Best two Yearling Heifers
296 - Heifer Calf born since 1 June
297 - Bull, born since 1 June
298 - Bull Calf, born since 1 June
299 - Junior Breeding Group – to be made up of 2 yearling heifers & 1 heifer calf or 2 heifer calves & 1 yearling heifer

SUPREME CHAMPION HOLSTEIN FRIESIAN

ANY OTHER DAIRY BREEDS

- 300 - Cow in Milk or Cow visibly in calf, 6 yrs & over
- 301 - Cow in Milk or Cow visibly in calf, 4 & 5 years
- 302 - Heifer, 3 years, in milk or visibly in calf
- 303 - Heifer, 2 years, in milk or visibly in calf
- 304 - Best Uddered Cow or Heifer any age
- 306 - Best Female 2 years or over, bred by exhibitors
- 307 - Three Females, 1 year and upwards, the progeny of one sire
- 308 - Junior Yearling Heifer, born between 1 June and 14 September
- 309 - Junior Yearling Heifer Born since 15 September
- 310 - Best two Yearling Heifers
- 311 - Heifer Calf born since 1 June
- 312 - Bull, born since 1 June
- 313 - Bull Calf, born since 1 June
- 314 - Junior Breeding Group – to be made up of 2 yearling heifers & 1 heifer calf or 2 heifer calves & 1 yearling heifer

SUPREME CHAMPION ANY OTHER DAIRY BREEDS

DAIRY CALVES

Judging to commence 9:00am

- Calves to follow the Milking Classes in the Grand Parade.
- 315 - Calf - Born since 15 August 2020
To be judged on handling, knowledge and condition. Exhibitor to be over 10 years of age and up to 15 years of age.
- 316 - Calf - Born since 15 August 2020
To be judged on handling, knowledge and condition. Exhibitor to be 10 years of age and under.

SOUTHLAND DAIRY HERDPERSON COMPETITION

No Entry Fee - Enter on the Day by 8:30am

Prize Money: First \$20, Second \$15, Third \$10, Fourth \$5, Fifth \$2

- Points will accumulate for the Young Handlers Competition at any of the following shows:
Wyndham
Winton
Gore
- Age of Exhibitor – 7 years to 21 years as at 31 December 2020.
- Points from each exhibitor will be accumulated for each show. Trophies and Champion/ Reserve Ribbons will be awarded at Gore
- Points: First 21; Second 16; Third 11; Fourth 6; Fifth 3; All other exhibitors 1 point
- 317 - 7 years and under – Junior leading a calf
- 318 - 8 years to 12 years- Intermediate leading a calf
- 319 - 13-21 years- Senior leading a heifer

BEEF SECTION

Judging to commence at 8:30am

Chief Marshall: Mr G Dodd

ENTRY FEES & PRIZE MONEY

Entry Fee: Members \$6, Non Members \$10

Prize Money: First \$10, Second \$8, Third \$5
Except where otherwise stated
(Sponsors donated items maybe awarded in place of prize money)

Please note: If there are more than ten (10) entries in a class prize money will increase to First \$12.00, Second \$9.00, Third \$6.00, Fourth \$4.00

Alliance Group Challenge Trophy
Supreme Champion All Beef Breeds

Trophy
Champion Beef Yearling Heifer
Most Points Beef Section

Trophy
Champion All Beef Breeds Yearling Bull

South Stock
Champion Beef Heifer Calf

South Stock
Champion Beef Bull Calf

Southfert Trophy
presented to greatest number first places in Beef All Breeds

BEEF ALL BREEDS

Southfert Trophy
presented for the Greatest Number first placings in Beef All Breeds

Entry Fee: Members \$6, Non Members \$10

Prize Money: First \$10, Second \$8, Third \$5,

- 368 - Bull, 2 years or older
- 369 - Bull, Yearling
- 370 - Bull, calf
- 371 - Cow, 3 years or older, with calf at foot
- 372 - Heifer, 2 years with calf or visibly in calf
- 373 - Heifer, yearling
- 374 - Heifer, calf
- 375 - Two Yearlings, male or female
- 376 - 2 animals any age, progeny of same sire or same dam -sire or dam to be listed on entry form
- 377 - A Group of Three Animals any age
- 378 - Two Calves, male or female progeny of one sire – sire to be listed on entry form

MEAT AND WOOL CUP
SUPREME CHAMPION BEEF
Male & Female Champions of each section qualify

BEEF/CROSS CALVES

Post entry - no entry fee
Judging to be approximately 10:00am

379- To be judged on care, condition, handling and knowledge.

John Robins Memorial JUNIOR HANDLER COMPETITION

Judging to commence 9:00am

No Entry Fee - Enter on the Day by 8:30am

Prize Money: First \$20, Second \$15, Third \$10,
Fourth \$5, Fifth \$2

- 380 - Junior Calf Handling Competition
7 years and under - *Must be a Calf*
- 381 - Calf Handling Competition
8 years to 12 years - *Must be a Calf* -
Accumulated points system between the four
shows
- 382 - Heifer Handling Competition
13 years to 21 years - *Must be a Heifer* -
Accumulated points system between the four
shows

SHEEP SECTION

Judging to commence 8:30am

Chief Marshal: Mrs Sheena Casey

ENTRY FEES & PRIZE MONEY

Entry Fee: Members \$5, Non Members \$8

Prize Money: First \$10, Second \$8, Third \$5

Except where otherwise stated

(Sponsors donated items maybe awarded in place of prize money)

Entries close 4 January 2021

Sheep Rules and Regulations

To be read in conjunction with the general conditions of the Winton A&P Association as set out on Page 2 of this schedule and the rules and regulations as set out by the Royal Agriculture Society.

All sheep must be penned by 8:00am

- Unregistered sheep must go in the Commercial Section.
- All rams over six months must be from an accredited Brucellosis Free Flock. Entries will not be accepted unless accompanied by a current photocopied certificate.
- All classes to be shorn except woolly lamb classes.
- All Shorn Sheep to be shorn not earlier than 20 July & not later than 1 calendar month prior to the Show.
- No Sheep to be exhibited in more than one class.
- All Sheep will be eligible for Championship Prizes
- The Committee reserves the right to allot Specials in lieu of Prize Money mentioned in the Schedule. The Committee expect a few Special Prizes which they will allot as they may think advisable. The Association has received a number of Trophies which accordingly will be allotted in the Catalogue.

Best Ewe Lamb, Wool Breeds

Ballance Trophy

Best Ram Lamb, Wool Breeds

Sponsored by Carrfields

Best Ewe Lamb, Meat Breeds

Lady Barkly Challenge Trophy

Best Ram Lamb, Meat Breeds

Tas Weily Memorial Trophy

Best Breeding Female over 20 months of any Breed -

Most Points Wool Breeds

Most Points Meat Breeds

Winton A&P Research Farm Trophy

Most points in Black and Coloured Section

Graham King Tray

Most Points in Sheep Section

Thomas Thomson Trophy

Ewe under 20 months – South Suffolk

- All stock for the above Trophies may have to be held for judging.
- The *All Breeds Trophies* will be judged at 11:00am.

All Sections

Champion and Reserve Champion Ram
Champion and Reserve Champion Ewe

WOOL SECTION

- 385 - Crossbred Fleece 33 micron and under
- 386 - Crossbred Fleece 34 micron and over
- 387 - Black & Coloured Fleece 33 micron and under
- 388 - Black & Coloured Fleece 34 micron and over
- 389 - 5kg parcel fine lamb
- 390 - 5kg parcel coarse lamb

BORDER LEICESTER

James Pirie Trophy
Most Points Border Leicester Section

- 400 - One Ram Lamb
- 402 - One Ewe Lamb
- 404 - Ewe, over 20 months
- 405 - Ewe, under 20 months
- 406 - Ram, over 20 months
- 407 - Ram, under 20 months

SUPREME CHAMPION BORDER LEICESTER

ROMNEY

GG Grieve Trophy
Most Points in Romney Sheep
JD Henderson Memorial Trophy
Champion Romney Ram

JL McDonald Tray
Best Romney Ram Lamb

GJ Calder Memorial Trophy
Champion Romney Ewe

- 408 - One Ram Lamb
- 410 - One Ewe Lamb
- 412 - Ewe, over 20 months
- 413 - Ewe, under 20 months
- 414 - Ram, over 20 months
- 415 - Ram, under 20 months

SUPREME CHAMPION ROMNEY

BLACK AND COLOURED SHEEP

- 424 - One Ram Lamb, woolly
- 426 - One Ewe Lamb, woolly
- 428 - Ewe, over 20 months
- 429 - Ewe, under 20 months
- 430 - Ram, over 20 months
- 431 - Ram, under 20 months

SUPREME CHAMPION BLACK AND COLOURED

HAMPSHIRE

Coopers Animal Health Trophy Points
Most points Special Class – Ram Lamb

- 432 - One Ram Lamb
- 434 - One Ewe Lamb
- 436 - Ewe, over 20 months
- 437 - Ewe, under 20 months
- 438 - Ram, over 20 months
- 439 - Ram, under 20 months

SUPREME CHAMPION HAMPSHIRE

SOUTHDOWN

- 440 - One Ram Lamb
- 442 - One Ewe Lamb
- 444 - Ewe, over 20 months
- 445 - Ewe, under 20 months
- 446 - Ram, over 20 months
- 447 - Ram, under 20 months

SUPREME CHAMPION SOUTHDOWN

SOUTH SUFFOLK

- 448 - One Ram Lamb
- 450 - One Ewe Lamb
- 452 - Ewe, over 20 months
- 453 - Ewe, under 20 months
- 454 - Ram, over 20 months
- 455 - Ram, under 20 months

SUPREME CHAMPION SOUTH SUFFOLK ***Thomas Thomson Trophy –*** ***Ewe under 20 months***

SUFFOLK

- 456 - One Ram Lamb
- 458 - One Ewe Lamb
- 460 - Ewe, over 20 months
- 461 - Ewe, under 20 months
- 462 - Ram, over 20 months
- 463 - Ram, under 20 months

SUPREME CHAMPION SUFFOLK

ANY OTHER BREEDS

Please specify breed on entry form

- 464 - One Ram Lamb
- 466 - One Ewe Lamb
- 468 - Ewe, over 20 months
- 469 - Ewe, under 20 months
- 470 - Ram, over 20 months
- 471 - Ram, under 20 months

SUPREME CHAMPION ANY OTHER BREEDS

DORSET DOWN

- 480 - One Ram Lamb
- 482 - One Ewe Lamb
- 484 - Ewe, over 20 months
- 485 - Ewe, under 20 months
- 486 - Ram, over 20 months
- 487 - Ram, under 20 months

SUPREME CHAMPION DORSET DOWN

TEXEL

- 488 - One Ram Lamb
- 489 - One Ewe Lamb
- 490 - Ewe, over 20 months
- 491 - Ewe, under 20 months
- 492 - Ram, over 20 months
- 493 - Ram, under 20 months

SUPREME CHAMPION TEXEL

COMMERCIAL SHEEP

- All Shorn Sheep to be shorn not earlier than 20 July, and not later than one calendar month prior to Show.

Deegan Trophy

Best Ewe Lamb in Commercial Section

JG Pullar Trophy

Most Points Commercial Section

Wool Breeds

- 494 - One Ram Lamb
- 496 - One Ewe Lamb
- 498 - Ewe, over 20 months
- 499 - Ewe, under 20 months

Meat Breeds

- 500 - One Ram Lamb
- 501 - One Ewe Lamb
- 502 - Ewe, over 20 months
- 503 - Ewe, under 20 months

SUPREME CHAMPION COMMERCIAL & NON-REGISTERED SHEEP

BARENBRUG AGRISEEDS PRIME LAMB COMPETITION



Barenbrug Agriseeds kindly offers a seed package to winner of class 506 Prime Lamb on the hook

Entries close at 8:30am on day

Entry Fee: \$10 member, \$15 non member /per pen

- Stock judged at the show on the hoof grazed overnight then transported to the works on Sunday, killed on Monday
- The stock remains the property of the exhibitor.
- All stock will be EID tagged at the show

504 - **Three Lambs on the hoof**
Prize Money: 1st \$40, 2nd \$20, 3rd \$10

506 - **Prime Lamb on the hook**
– includes Classes 504
Prize Money: 1st Seed Package, 2nd \$40, 3rd \$20

Johnnie Walker Cup – winner of class 506

Criteria for class 506 – Prime Lamb on the hook- all three lambs in the pen must meet all the grading criteria to be eligible for placings

Winner determined on a points-based system on the pen of three

- Carcass weight: 15 to 23kg
- Y & P grades only, T & C grade will disqualify pen
- Grading to be to AGL Standards
- Stock judged at the show on the hoof grazed overnight then transported to the works on Sunday, killed on Monday

Yield

Leg Yield	Actual %
Loin Yield	Actual % x 1.5
Shoulder Yield	Actual % x 0.5

Fat prediction

1-9mm	20 points
9.1-12mm	10 points
12.1 & over	0 points

PET LAMB and PET ADULT SHEEP

Judging to commence at 10:30am in front of Grandstand

- Post Entries
 - Open to children under 13 years of age
- 507- Pet lamb – Exhibitor under 8 years
 508- Pet Lamb – Exhibitor 8 years & over
**Champion & Reserve Champion
 Pet Lamb**
- 509 - Best Pet Adult Sheep not to be shown in other classes and not to count in points
**Champion & Reserve Champion
 Adult Sheep**

CHILDRENS PET COMPETITION

Judging to commence at 10:30am in front of Grandstand

- Entries to be in hand of secretary prior to show day
 - No entry fee payable
 - Please state age of the handler and type of pet on the entry form
 - All dogs must have a current hydatids certificate
 - No calves, lambs or ponies
 - Entries will be judged on presentation, knowledge, care, handling and condition of pet
 - Open to children 15 years of age and under
- Classes will be divided on the day by age & pet.

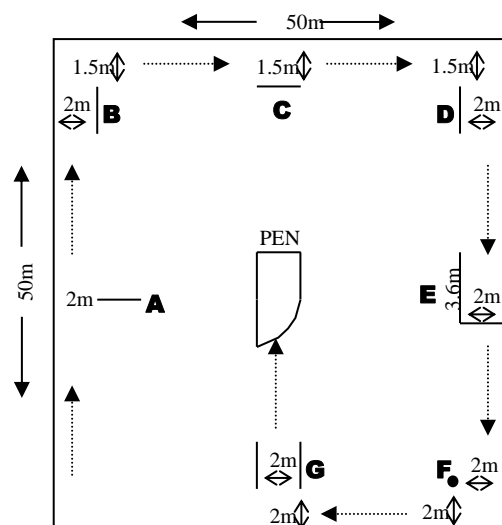
SHOW DOG TRIALS

Trial commences at 8:00am at the Showgrounds

Chief Marshal: Geoff Tweedie

D Hughes Trophy – Open Class

Robert J Anderson Trophy – Maiden Class



Time will start on release of sheep. All drives, except approach to pen. Competitor must go through **A, B, C, D** and **F**. At **E**, competitor must go to head of gate once sheep are in. If sheep break out of **E**, competitor may go back to help dog. At **G**, competitor does not go through obstacle. Once sheep are clear of **G**, competitor must go directly to head of gate.

Time allowed: 10 minutes

Open - 1st \$60, 2nd \$40, 3rd \$20, 4th \$15, 5th \$10
 Maiden – 1st \$40, 2nd \$20, 3rd \$10

Entry Fee: \$5 per dog

There will also be sponsored prizes awarded to various runs & dogs. Bench Classes, Most unlucky run, Most Promising young dog

LIST OF TROPHIES FOR ANNUAL SHOW

JA Broom Memorial Challenge Shield
 Most Points in Show

Presidents Trophy
 Most Points in Show

EQUESTRIAN SECTION

Tom White Perpetual Trophy
 Best Registered Thoroughbred In
 Hand or Under Saddle - to be shown
 in hand
 2020 – Tania Bellanny

Adrian-Kismet Challenge Cup
 Best Turnout, Harness Section
 2020 – Not Awarded

Winton A&P Gow Memorial Trophy
 Most Points in Equestrian Section
 from one Identity
 2020 – Russell Family

M McKay Cup
 Most Points Park Hack Section
 2020 – Melissa Proctor

Hampton Park Trophy
 Most Points Welsh Pony Section
 2020 – Lucy Drake

Winton A&P Association Cup
 Most Points in Saddle Hack Section
 2020 – Tania Bellanny

Tippett Silver Tray
 For Supreme Champion Saddle Pony
 2020 – Lily Walker

Andrew Falconer Shield
 Winton Branch of the Birchwood
 Hunt RTR – Class 169
 2020 – Suzanne Black

George Menlove Memorial Trophy
 Winton Championship Horse RTR
 Class 171
 2020 – Samantha Tasker

JB Hamilton Memorial Trophy
 FEI Improvers Cup – Class 175
 2020 – Teegan McCabe

R King Challenge Trophy
 Pony Championship RTR - Class 170
 2020 – Angus Price

Tatham Memorial Trophy
 Best Gelding Donkey Section
 2020 – Joan Rabbitte

Blanch McKelvey Memorial Trophy
 Donkey Gaining Most Points
 2020 – Joan Rabbitte

Harper Horse Coaches Trophy
 for most points in Saddle Hunter
 Section
 2020 – Jessie McMaster

Horatio Memorial Trophy
 For Champion Pony Trot
 2020 –

DS Duff Memorial Trophy
 Horse FEI 1.20m – Class 176
 2020 – Amanda Paul

Firegleam Trophy
 Champion Saddle Hunter
 2020- Jessie McMaster

Rock n Rhythm Trophy
 Supreme Champion Saddle Horse
 2020- Tania Bellanny

Preston Russell Trophy
 Horse FEI 1.30m – Class 177
 2020 – Gail Richardson

BEEF CATTLE SECTION

Alliance Group Ltd Challenge Trophy
 Supreme Champion All Beef Breeds

Southfert Trophy
 represented Greatest Number First
 Places Beef All Breeds

Champion All Beef Breeds Yearling
 Bull

AB Lime
 Most Points Beef Section

Champion Beef Yearling Heifer

South Stock
 Champion Beef Heifer Calf

South Stock
 Champion Beef Bull Calf

Flemington Park Stud Junior Herds Person

DAIRY CATTLE SECTION

Southland Dairy Co-Op Ltd Trophy
 All Breeds Yearling Heifer Class

RJ Anderson Cup
 Champion of Champion
 Dairy Animal

Alexander Gerrard Memorial Trophy
 Champion All Breeds Heifer Calf

M McKay Memorial Cup
 Champion All Breeds Female

JC Olive Cup
 Most Points Cattle

Winton A&P Association Cup
 Female Champion Holstein Friesian

Robert McIntosh Memorial Trophy
 All Breeds Champion Heifer Calf

SHEEP SECTION

Graham King Tray
 Most Points in Sheep Section

Most Points, Wool Breeds

Best Ewe Lamb, Wool Breeds
sponsored by Fernhills Lime Co

Tas Weily Memorial Trophy

Winton A&P Association Trophy

Lady Barkly Challenge Trophy
 Best Ram Lamb, Meat Breeds



Best Breeding Female over 20
months of any Breed - **sponsored
by Fluidfert**

Ballance Trophy
Best Ram Lamb, Wool Breeds

JL McDonald Tray
Best Romney Ram Lamb

**Thomas Thomson Memorial
Trophy**
Ewe under 20 months
Johnnie Walker Cup
Prime Lamb on the hook

Most Points in Black and Coloured
Sheep

GG Grieve Trophy
Most Points Romney Sheep

Deegan Trophy
Best Ewe Lamb in Commercial
Section

**sponsored by Awarua Browns
Lime**

James Pirie Trophy
Most Points Border Leicester Section

JD Henderson Memorial
Champion Romney Ram

GJ Calder Memorial Trophy
Champion Romney Ewe

DOG TRIALS

D Hughes Trophy
Open Class

Robert J Anderson Trophy –
Maiden Class



WINTON A&P ASSN

106th Annual Show – 16 January 2021

Entries Close – 4 January 2021

SHEEP

Subject to the Conditions, Rules & Regulations of the Society, which are deemed included herein, as inserted at length, I beg to make the following entries for the forthcoming show, the same being my bonafide property &.... **SHEEP I** (a) being an exhibitor of Stud Sheep, certify that the sheep that I have entered on this form in the shorn classes have been shorn evenly, close to the skin & not earlier than the date set down for shearing in the schedule. All rams over six months must be from an accredited Brucellosis Free Flock. Entries will not be accepted unless accompanied by a current photocopied certificate.

No animal or it attendant shall have any initial, crest or mark of ownership on it rug, harness, pail or any other fitting. This rule shall not apply to Trades classes. Prize Cards which have been awarded by the Judges must only be displayed after final judging, in such classes as the Exhibit may be entered for & then remain affixed to Exhibit during the Show, & no ribbon, prize, colours or thicketts will be permitted on any Exhibit unless awarded during that section of the Show. Any infraction of the rule may incur disqualification & bar any further competition in that section of the Show.

Class No	No of Entries	Name of Animal/Section	Name of Breeder if Different from Exhibitor	Entry Fee
			Fees Transferred from Reverse	
			Total Fees	
Name of Exhibitor _____			Membership \$20.00	
Phone _____			Administration/GroundFee(compulsory) 10.00	
Winton Show Bank Account 030960 0087182 00			Catalogue (cross out if not required) 5.00	
Postal Address _____			\$ Amount Enclosed	
Email Address: _____				

**Post Entries to:
Winton A&P Association
PO Box 8016
Glengarry
INVERCARGILL 9845**

Brucellosis Certificate must be attached or forwarded within 10 days

EXHIBITOR DECLARATION – By signing this form I accept the Associations by-laws and conditions of entry and I indemnify the Association under the provisions of Health and Safety in Employment act 1993. **Signed:** _____

ALL EXHIBITORS WHO MAKE AN ENTRY IN THE SHOW BECOME LIABLE FOR THE FEE, WHETHER THE ENTRY BE ACCEPTED BY PHONE OR IN WRITING (NO Refund) PLEASE NOTE: If catalogue is paid with entry when the Entries are acknowledged, a Card will be included which can be exchanged for a Catalogue at the Gate or Secretary's Office. Showaround.

